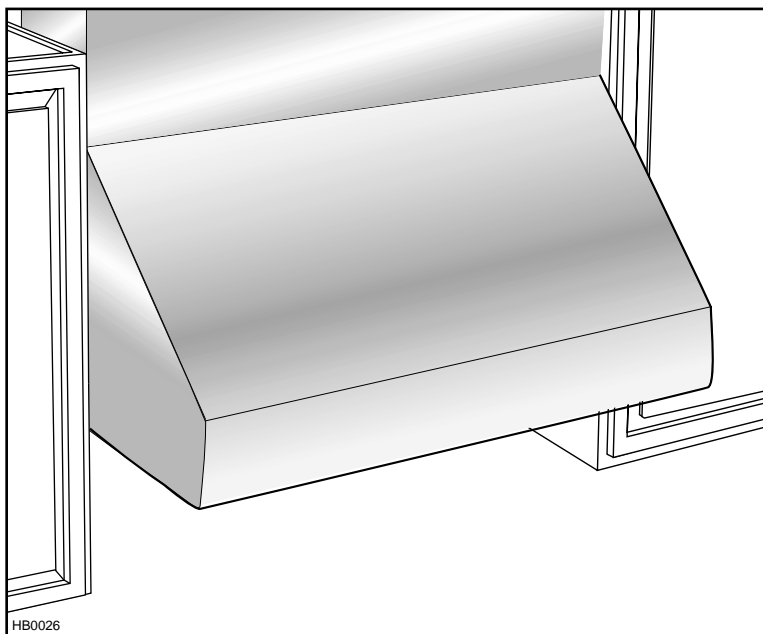


RANGEMASTER

B Y B R O A N - N U T O N E

RM60000 SERIES RANGE HOOD INSTALLATION INSTRUCTIONS AND USER MANUAL



RESIDENTIAL USE ONLY

READ AND SAVE THESE INSTRUCTIONS

INSTALLER: LEAVE THIS MANUAL WITH HOMEOWNER.
HOMEOWNER: USE AND CARE INFORMATION ON PAGE 11.

Broan-NuTone LLC, 926 West State Street, Hartford, WI 53027 (1-800-637-1453)

NuTone, Inc., 4820 Red Bank Road, Cincinnati, OH 45227 (1-800-543-8687)

Broan-NuTone Canada, Inc., 1140 Tristar Drive, Mississauga, ON L5T 1H9 (1-888-882-7626)
V05527 rev B

WARNING

TO REDUCE THE RISK OF FIRE, ELECTRIC SHOCK, OR INJURY TO PERSON(S) OBSERVE THE FOLLOWING:

1. Use this unit only in the manner intended by the manufacturer. If you have questions, contact the manufacturer at the address or telephone number listed in the warranty.
2. Before servicing or cleaning unit, switch power off at service panel and lock service disconnecting means to prevent power from being switched on accidentally. When the service disconnecting means cannot be locked, securely fasten a prominent warning device, such as a tag, to the service panel.
3. Installation work and electrical wiring must be done by qualified personnel in accordance with all applicable codes and standards, including fire-rated construction codes and standards.
4. Sufficient air is needed for proper combustion and exhausting of gases through the flue (chimney) of fuel burning equipment to prevent backdrafting. Follow the heating equipment manufacturer's guidelines and safety standards such as those published by the National Fire Protection Association (NFPA), and the American Society for Heating, Refrigeration and Air Conditioning Engineers (ASHRAE), and the local code authorities.
5. When cutting or drilling into wall or ceiling, do not damage electrical wiring and other hidden utilities.
6. Ducted fans must always be vented to the outdoors.
7. Do not use this range hood with any additional solid-state speed control device.
8. To reduce the risk of fire, use only steel ductwork.
9. This unit must be grounded.

TO REDUCE THE RISK OF A RANGE TOP GREASE FIRE:

- a) Never leave surface units unattended at high settings. Boilovers cause smoking and greasy spillovers that may ignite. Heat oils slowly on low or medium settings.
- b) Always turn hood ON when cooking at high heat or when cooking flaming foods.
- c) Clean ventilating fans frequently. Grease should not be allowed to accumulate on fan or filter.
- d) Use proper pan size. Always use cookware appropriate for the size of the surface element.

WARNING

TO REDUCE THE RISK OF INJURY TO PERSON(S) IN THE EVENT OF A RANGE TOP GREASE FIRE, OBSERVE THE FOLLOWING*:

1. SMOTHER FLAMES with a close-fitting lid, cookie sheet, or metal tray, then turn off the burner. BE CAREFUL TO PREVENT BURNS. IF THE FLAMES DO NOT GO OUT IMMEDIATELY, EVACUATE AND CALL THE FIRE DEPARTMENT.
 2. NEVER PICK UP A FLAMING PAN – You may be burned.
 3. DO NOT USE WATER, including wet dishcloths or towels – This could cause a violent steam explosion.
 4. Use an extinguisher ONLY if:
 - A. You know you have a Class ABC extinguisher and you know how to operate it.
 - B. The fire is small and contained in the area where it started.
 - C. The fire department has been called.
 - D. You can fight the fire with your back to an exit.
- * Based on "Kitchen Fire Safety Tips" published by NFPA.

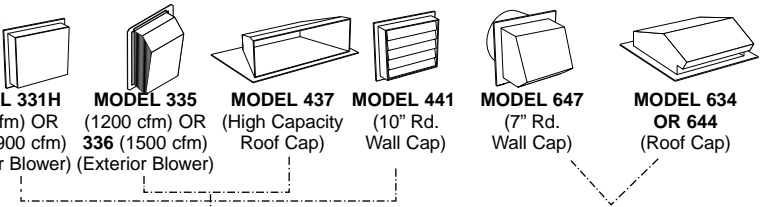
CAUTION

1. For general ventilating use only. Do not use to exhaust hazardous or explosive materials and vapors.
2. To avoid motor bearing damage and noisy and/or unbalanced impellers, keep drywall spray, construction dust, etc. off power unit.
3. Your hood motor has a thermal overload which will automatically shut off the motor if it becomes overheated. The motor will restart when it cools down. If the motor continues to shut off and restart, have the hood serviced.
4. For best capture of cooking impurities, the bottom of the hood should be a minimum of 24" and a maximum of 30" above the cooking surface.
5. Please read specification label on product for further information and requirements.
6. To reduce the risk of fire and to properly exhaust air on a ducted installation, be sure to duct air outside – Do not exhaust air into spaces within walls or ceiling or into attics, crawl spaces, or garage.
7. This product is equipped with a thermostat which may start blower automatically. To reduce the risk of injury and to prevent power from being switched on accidentally, switch power off at service panel and lock or tag service panel.
8. The RM60000 Series hood must be installed with blower models RM325H, RM326H, 331H, 332H, 335 or 336 only. Other blowers cannot be substituted. (Blowers sold separately.)

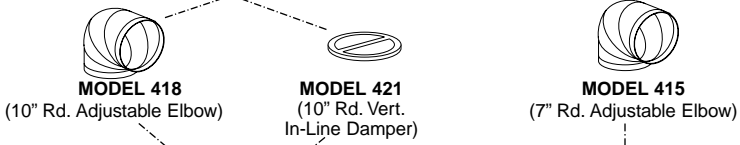
TABLE OF CONTENTS

1.0	SELECT BLOWER OPTION AND INSTALL DUCTWORK . . .5
2.0	MEASURE INSTALLATION6
3.0	PREPARE THE INSTALLATION6
4.0	INSTALL BACKSPLASH7
5.0	INSTALL WOOD MOUNTING STRIP7
6.0	INSTALL THE HOOD7
7.0	INSTALL TRANSITION TO ROUGH-IN PLATE8
8.0	INSTALL THE ROUGH-IN PLATE TO THE HOOD8-9
9.0	INSTALL THE OPTIONAL SOFFIT CHIMNEY9
10.0	INSTALL BLOWER9
11.0	INSTALL LIGHT BULBS AND WARMING LAMPS9
12.0	INSTALL FILTERS10
13.0	USE AND CARE11
14.0	OPERATION12
15.0	WIRING DIAGRAM13
16.0	SERVICE PARTS14-15
17.0	WARRANTY16

Wall & Roof
Caps, Ext.
Blowers



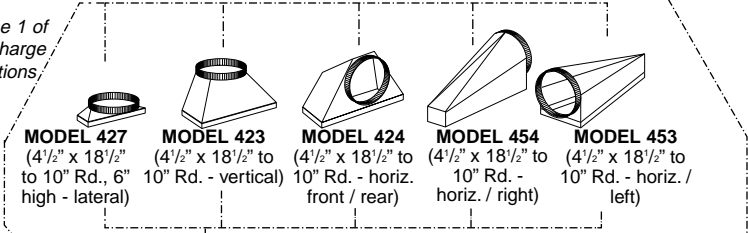
Elbows &
In-Line
Dampers



Ductwork

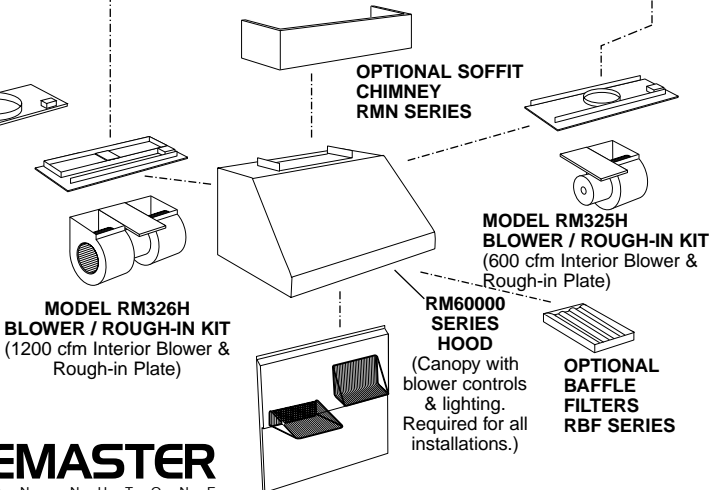


Choose 1 of
5 Discharge
Transitions



ROUGH-IN KIT
MODEL 332KR
(Use with all
Exterior Blower
models: 331H,
332H, 335, 336)

Choose 1 of 3
Blower Systems



RANGEMASTER
BY BROAN - NUTONE

RM60000 SERIES RANGE HOOD SYSTEM

RMP SERIES BACKSPASH
(Stainless Steel wall covering
with warming shelves. Optional)

HL0030

1. SELECT BLOWER OPTION AND INSTALL DUCTWORK

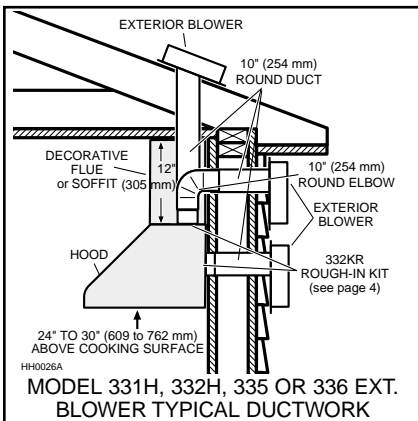
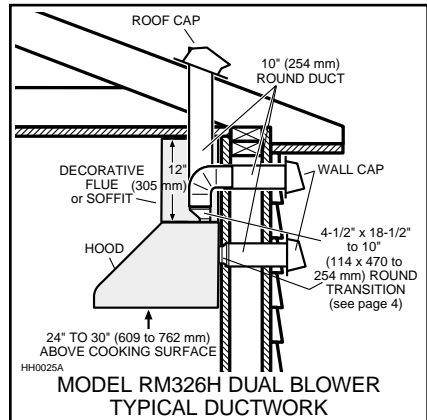
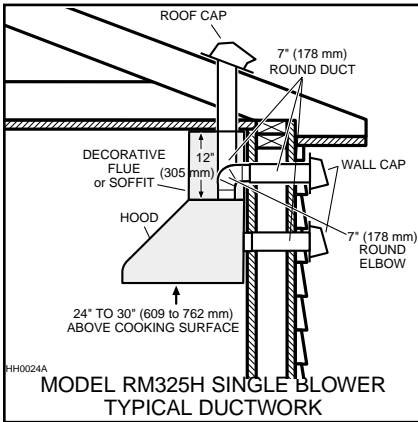
Either an interior or exterior blower may be used with this hood. The RM60000 Series hood must be installed with blower models RM325H, RM326H, 331H, 332H, 335 or 336 only. Other blowers cannot be substituted. (Blowers sold separately).

NOTES: 1. The 331H, 332H, 335 or 336 exterior blower MUST BE installed with the rough-in kit model 332KR (sold separately).

2. In addition to the blower models listed above, this hood is also compatible with older internal blower versions 325H and 326H. However, discard the installation instructions included with those blowers and contact our technical support to obtain replacement instruction.

Plan where and how the ductwork will be located.

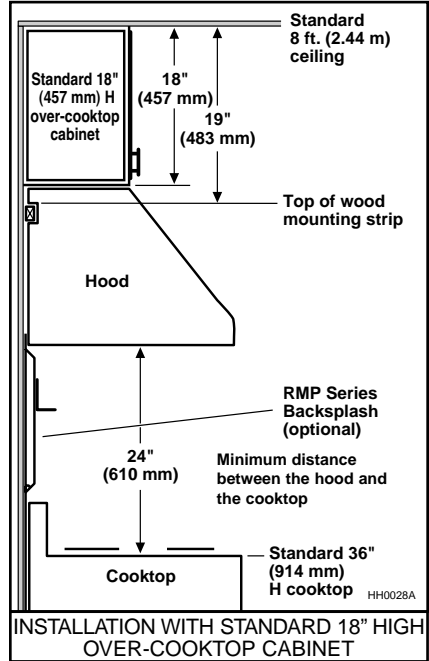
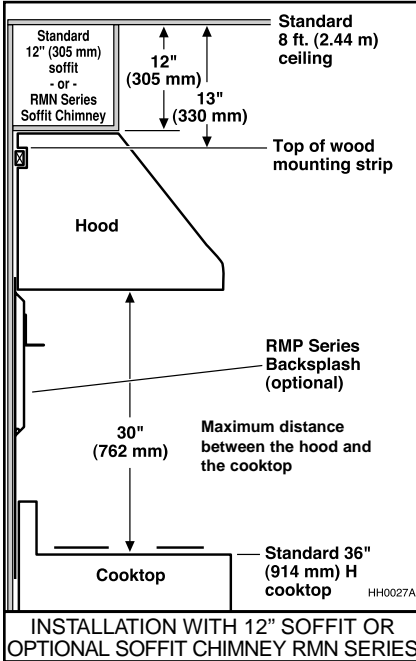
Install proper-sized ductwork, transition(s), elbow(s), and roof or wall cap for the type of blower you are using.



2. MEASURE INSTALLATION

Dimensions for the most common installations are shown below.

Adjust your measurements for various heights of ceilings, soffits, cabinets or cooktops. **For proper operation, the hood must be a minimum of 24" and a maximum of 30" above the cooktop.**



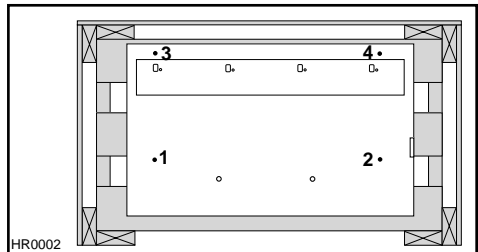
3. PREPARE THE INSTALLATION

Remove the installation kit from inside the hood.

Make sure that the following items are included:

- Wood strip
- Installation manual
- Accessories including:
 - .Filters (Quantity varies depending on range hood width)
 - .Bag of parts including:
 - Screws #10-2" flat head (4), Screws #8-3/4" (8), Nuts #10-32 (4)
 - Wall anchors (2), Washers 3/16" ID X 3/4" OD (2)

Using a Phillips #2 or a Robertson #2 screwdriver, unscrew the hood from the bottom of crate. Refer to figure beside to locate all 4 screws. Discard these screws and remove hood from wood pallet.



4. INSTALL BACKSPLASH

(OPTIONAL) RMP Series

Backsplash must be installed before the hood shell because the hood shell covers the backsplash top mounting screws. In order to be able to install the backsplash, make sure you have at least 18" (457 mm) clearance between bottom of hood and range control panel or cooktop. (Refer to instructions included with backsplash.)

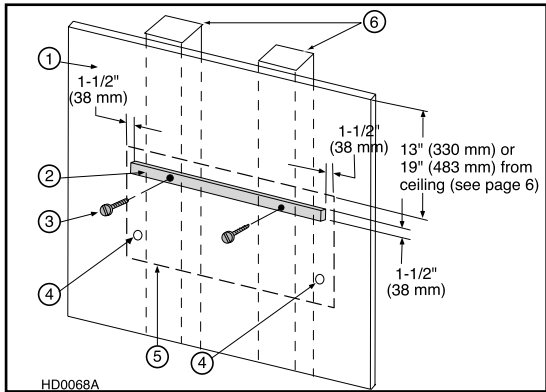
5. INSTALL WOOD MOUNTING STRIP

Measure and mark a level line on wall above cooktop location for the wood mounting strip (see illustration below and under step 2). Use #10 - 2" flat head screws to secure the mounting strip to the drywall. Make sure to hit the wall studs. (See figure below.)

CAUTION

Due to the weight of this hood, ensure that the wood strip is attached to all of the available wall studs (2 studs minimum for the 30" hood, more as hood width increases); not into the drywall alone.

1. Drywall
2. Wood Mounting Strip
3. Flat Head Screw
4. Wall Anchor Location
5. Outline of the Back of the Hood
6. Wall Studs



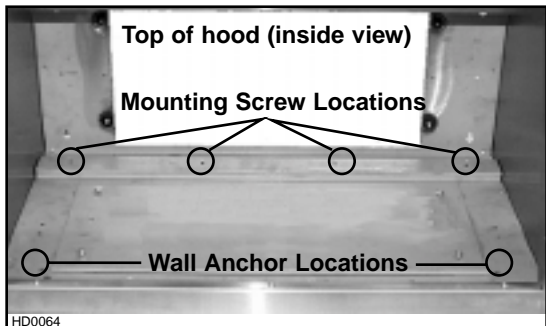
6. INSTALL THE HOOD

Rest the back cavity of the hood on the wood mounting strip.

CAUTION

Hold the hood until it is completely secured to the wood mounting strip.

Secure hood to wood strip with (4) screws #8 - 3/4" (for 30" and 36" width hoods) or (6) screws (for 42" width and wider hoods) provided at locations shown. Drill (2) 3/16" size holes into the drywall for wall anchors through the existing holes in the inside hood back in the locations shown. Then install the two wall anchors and attach the hood to these anchors with the remaining #8 - 3/4" screws and the (2) washers provided.



7. INSTALL TRANSITION TO ROUGH-IN PLATE

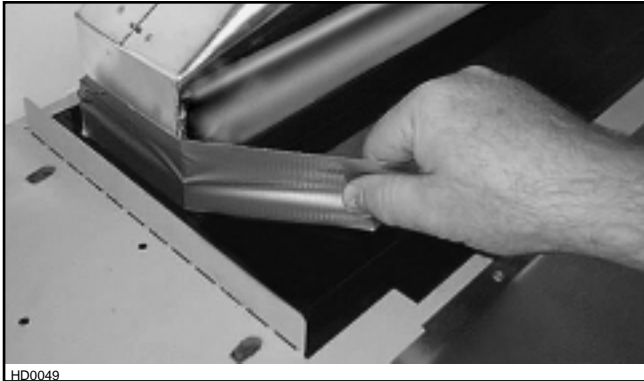
Model 423, 424, 427, 453, or 454

Attach transition (if required) to blower rough-in plate.

Use duct tape to make all joints secure and air-tight.

NOTE: Model RM325H blower plate connects directly to 7" round ductwork without a transition.

Exterior blower models utilize a model 332KR rough-in plate which connects directly to 10" round ductwork without a transition.



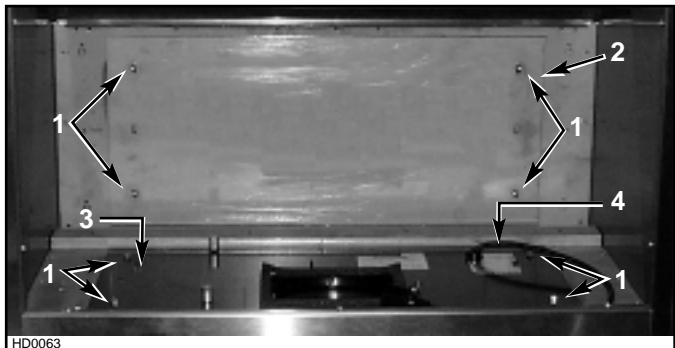
8. INSTALL THE ROUGH-IN PLATE TO THE HOOD

Run power cable to installation location. Refer to the instructions included with the selected blower or rough-in kit (sold separately) for details on installing the rough-in plate. Install the rough-in plate so that the wiring box is located on the right side as you are facing the hood.

For ducting through back of hood, remove existing plate from inside back of hood and attach to inside top of hood to cover hole. Secure to threaded studs with same (4) nuts.

For ducting through top of hood, existing plate remains in place on inside back of hood.

1. Locknuts
2. Plate on top of hood
3. Rough-in plate on back of hood
4. Wiring Cover



Connect ducting to transition or rough-in plate as you are installing the rough-in plate. Use duct tape to make all joints secure and air-tight.

8. INSTALL THE ROUGH-IN PLATE TO THE HOOD (CONT'D)

Wiring

WARNING

Risk of electrical shock. Electrical wiring must be done by qualified personnel in accordance with all applicable codes and standards. Before connecting wires, switch power off at service panel and lock service disconnecting means to prevent power from being switched on accidentally.

Remove wiring cover from rough-in plate and set aside.

Remove appropriate knockout from rough-in plate. As you are installing the rough-in plate, feed 6" of power cable through knockout opening and attach cable to wiring box with appropriate connector.

Connect wires as shown in blower instructions.

Reinstall wiring cover.

9. INSTALL THE OPTIONAL SOFFIT CHIMNEY

(OPTIONAL) RMN Series

Refer to the instructions included with the soffit chimney.

10. INSTALL BLOWER

Refer to instructions included with blower.

Once the blower is installed, plug the blower unit into the female receptacle and the power supply onto the male connector inside the hood. **DO NOT** plug the two cords into each other.



11. INSTALL LIGHT BULBS AND WARMING LAMPS

Install (2) heat lamp bulbs. Use BR40 size, 250W Max., infrared bulbs only (purchase separately).

Install (3) halogen light bulbs. Use PAR20 50W Size (purchase separately).

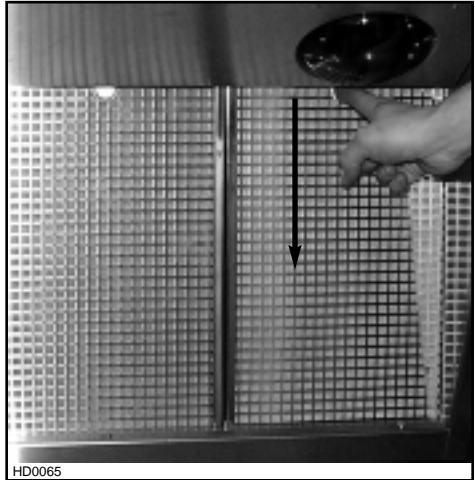
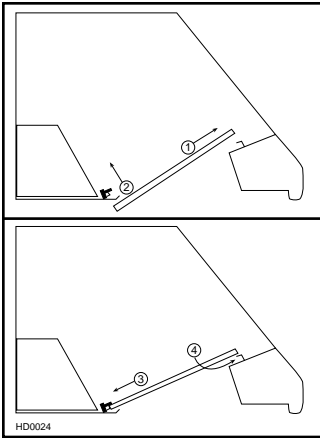
12. INSTALL FILTERS

CAUTION

Remove protective plastic film covering filters before installing them.

It is recommended to install side filters first and finish with center one(s).

1. Insert upper end of filter into the hood (finger sized cup side).
2. Raise lower end toward the inside of hood.
3. Position rear part of filter into channel and pull.
4. Using finger sized cup, pull on the upper end of filter and slide it under the front inner retaining piece.



Replacement filters are available from your dealer. See label inside hood for size and part number.

Baffle Filters

Baffle filters are available as an option. To order them, refer to the table below to find the right filter kit number for your hood. To install them, refer to instruction sheet included with baffle filter kit.



BAFFLE FILTER (TYPICAL)

KIT #	HOOD WIDTH
RBF6030	30"
RBF6036	36"
RBF6042	42"
RBF6048	48"
RBF6054	54"
RBF6060	60"
RBF6066	66"
RBF6072	72"

13. USE AND CARE

Grease Filters

The grease filters should be cleaned frequently. Use a warm detergent solution. Grease filters are dishwasher safe. Wash more often if our cooking style generates greater grease - like frying foods or wok cooking.

Remove filters by pushing filters towards the back of hood and rotating filters downward.

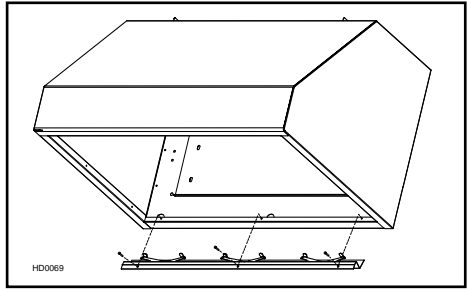
Blower Cleaning

Remove the filters in order to access the blower. Vacuum blower to clean. Do not immerse in water. Refer to blower instruction manual for more details.

Grease Rail

The grease rail should be cleaned frequently, especially if baffle filters are used.

Remove filters, then, disassemble the grease rail from the hood by removing its 3 retaining screws. See illustration beside.



Refer to *stainless steel cleaning* in Hood Cleaning section below. Once the grease rail is clean and dry, reassemble it to the hood and reinstall filters.

Hood Cleaning

Stainless steel cleaning: How to maintain its « BRIGHT LOOK »

Do:

- Regularly wash surfaces with clean cloth or rag soaked with warm water and mild soap or liquid dish detergent.
- Always clean in the direction of original polish lines.
- Always rinse well with clear water (2 or 3 times) after cleaning. Wipe dry completely.
- You may also use a specialized household stainless steel cleaner.

Don't:

- Do not use any steel or stainless steel wool or any other scrapers to remove stubborn dirt.
- Do not use any harsh or abrasive cleansers.
- Do not allow dirt to accumulate.
- Do not let plaster dust or any other construction residues reach the hood.
During construction/renovation, cover the hood to make sure no dust sticks to stainless steel surface.

Avoid: when choosing a detergent

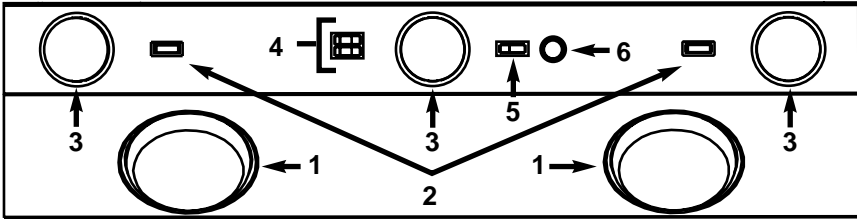
- Any cleaners that contain **bleach** will attack stainless steel.
- Any products containing : **chloride, fluoride, iodide, bromide** will deteriorate surfaces rapidly.
- Any **combustible products** used for cleaning such as **acetone, alcohol, ether, benzol**, etc., are highly explosive and should not be used close to a range.

Enamel finish:

Clean with warm water and mild detergent only. When discoloration occurs, use a good enamel polish such as automotive polish. (**DO NOT** use rough abrasive cleaner or porcelain cleaner.)

14. OPERATION

Always turn ON your hood before you begin cooking in order to establish an air flow in the kitchen. Let the blower run for a few minutes to clear the air after you turn off the range. This will help keep the whole kitchen cleaner and brighter.



HC0004

1. Warming lamps
2. Warming lamp switches
3. Halogen lights
4. Halogen light switches
5. ON/OFF Blower switch
6. Blower speed control

Warming lamps (Infrared)

Each warming lamp (item 1 in picture above) is controlled with its own ON/OFF switch (item 2 on picture above).

Use only BR40 Size, 250W Max., Infrared bulbs. (Purchase separately)

⚠ WARNING

Do not place highly flammable material on warming shelves.

Cooktop Lighting (Halogen)

A double set of ON/OFF switches (item 4 on picture above) control the halogen lights (item 3 on picture above).

The front rocker controls the center light. The rear rocker controls both side lights. Select one, two, or three lights for best cooktop lighting.

Use PAR 20, 50W halogen bulbs. (Purchase separately)

Blower

The blower is operated using two (2) controls.

Use the red, lighted ON/OFF switch (item 5 on picture above) to start and stop the blower. When turned on, the blower will operate at the previous setting of the speed control (item 6 on picture above).

Turn the speed control knob clockwise to decrease blower speed - counterclockwise to increase speed.

HEAT SENTRY™

Your hood is equipped with a HEAT SENTRY™ thermostat. This thermostat is a device that will turn on or speed up the blower if it senses excessive heat above the cooking surface.

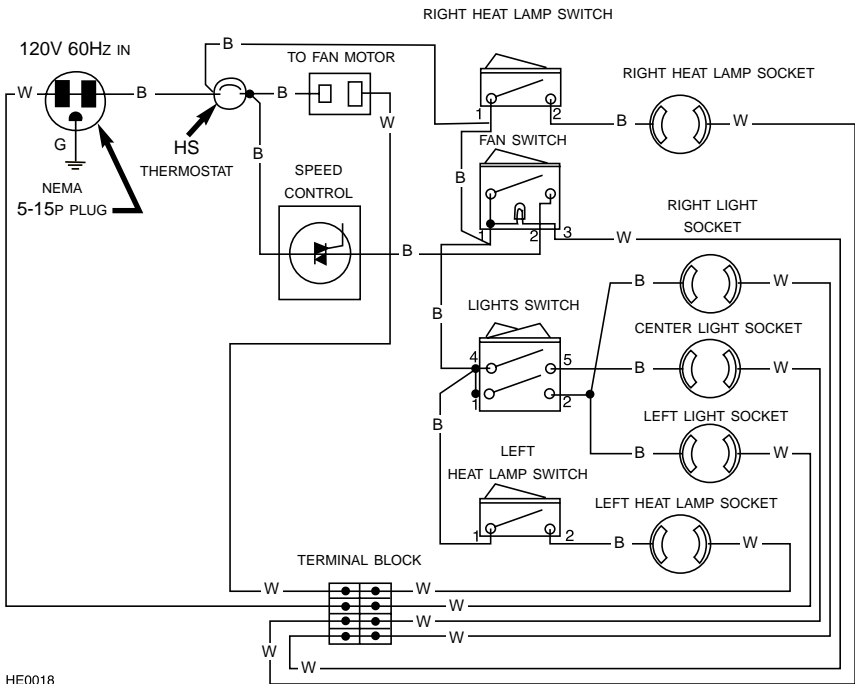
- 1) If blower is OFF - it turns blower ON to HIGH speed.
- 2) If blower is ON at a lower speed setting - it turns blower up to HIGH speed.

When the temperature level drops to normal, the blower will return to its original setting.

⚠ WARNING

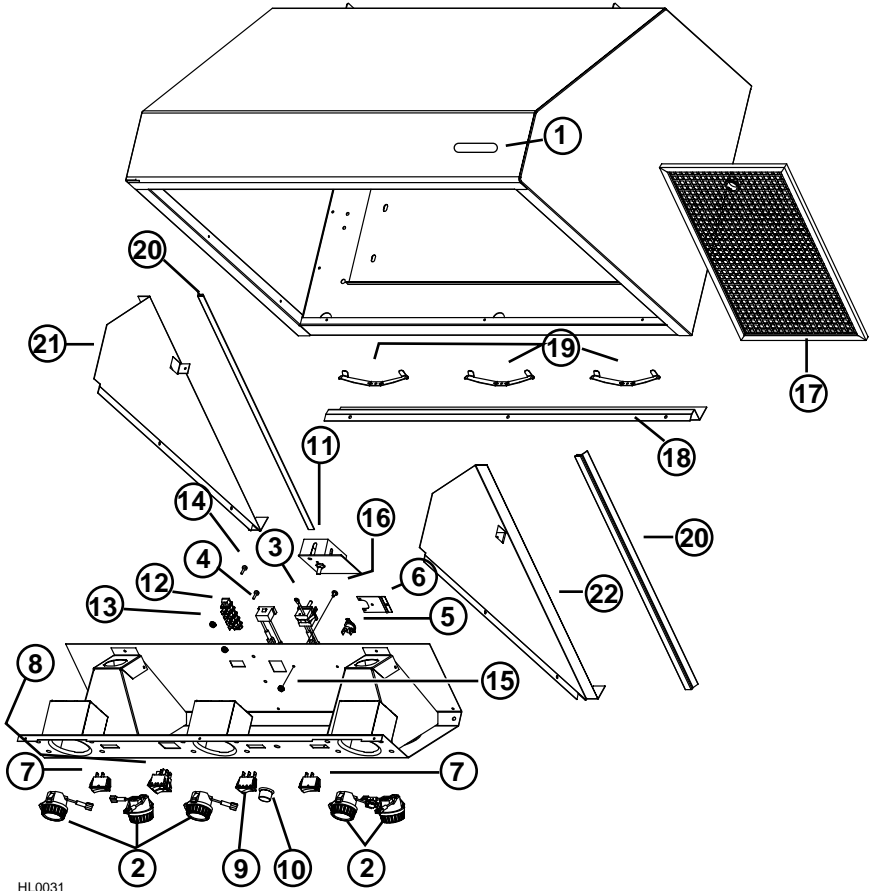
The HEAT SENTRY™ thermostat can start the blower even if the hood is turned OFF. When this occurs, it is impossible to turn the blower OFF with the switch. If you must stop the blower, do it from the main electrical panel.

15. WIRING DIAGRAM



HE0018

16. SERVICE PARTS



HL0031

16. SERVICE PARTS (CONT'D)

KEY NO.	PART NUMBER	DESCRIPTION	QTY (HOOD WIDTH)							
			30"	36"	42"	48"	54"	60"	66"	72"
1	V03493	Rangemaster Logo	1	1	1	1	1	1	1	1
2	V02264	Socket Lamp	5	5	5	5	5	5	5	5
3	V02773	Male Connector	1	1	1	1	1	1	1	1
4	V02772	Female Connector	1	1	1	1	1	1	1	1
5	V03435	Thermostat	1	1	1	1	1	1	1	1
6	V03436	Thermostat Bracket	1	1	1	1	1	1	1	1
7	V02563	SPST Single Switch for Warming Lamps	2	2	2	2	2	2	2	2
8	V03502	SPST Double Switch for Halogen Lights	1	1	1	1	1	1	1	1
9	V03503	SPST Lighted Single Switch for Blower	1	1	1	1	1	1	1	1
10	V03504	Speed Control Button	1	1	1	1	1	1	1	1
11	V03501	Speed Controller	1	1	1	1	1	1	1	1
12	V03505	Terminal strip	1	1	1	1	1	1	1	1
‡	V03517	10" Power Cord	1	1	1	1	1	1	1	1
‡	V03519	10" Control Wire	1	1	1	1	1	1	1	1
‡	V03520	10" Lighted Switch Wire	1	1	1	1	1	1	1	1
13	V00673	Lock-Nut 8-32	2	2	2	2	2	2	2	2
14	V02512	Screw 8-32 x 1/2 Quadrex	2	2	2	2	2	2	2	2
15	V01869	Machine Screw 8-32 x 1/4	2	2	2	2	2	2	2	2
16	V01582	Lock nut 6-32	2	2	2	2	2	2	2	2
17	V05522	Sq. Perf. Grille Filter 9.5 x 15.25 x 0.355	3	-	-	-	-	-	-	-
17	V05523	Sq. Perf. Grille Filter 11.61 x 15.25 x 0.355	-	3	-	4	-	5	2	-
17	V05524	Sq. Perf. Grille Filter 13.61 x 15.25 x 0.355	-	-	3	-	-	-	3	-
17	V05525	Sq. Perf. Grille Filt. 17.525 x 15.25 x 0.355	-	-	-	-	3	-	-	4
18	V14763	Grease Rail 30"	1	-	-	-	-	-	-	-
18	V14764	Grease Rail 36"	-	1	-	-	-	-	-	-
18	V14765	Grease Rail 42"	-	-	1	-	-	-	-	-
18	V14766	Grease Rail 48"	-	-	-	1	-	-	-	-
18	V14767	Grease Rail 54"	-	-	-	-	1	-	-	-
18	V14768	Grease Rail 60"	-	-	-	-	-	1	-	-
18	V14769	Grease Rail 66"	-	-	-	-	-	-	1	-
18	V14770	Grease Rail 72"	-	-	-	-	-	-	-	1
19	V05528	Filter Spring 5.265" x 0.350"	3	3	3	4	3	5	5	4
20	V05521	Sealing Extrusion 20.625"	2	2	2	2	2	2	2	2
21	V14744	Left Side Liner	1	1	1	1	1	1	1	1
22	V14745	Right Side Liner	1	1	1	1	1	1	1	1
‡	V05527	Installation Guide	1	1	1	1	1	1	1	1
‡	V12971	Parts Bag (Flat head screws #10 x 2" (4), Screws #8 x 3/4" (8), Nuts #10-32 (4), Wall anchors (2), Washers 3/16" ID x 3/4" OD (2))	1	1	1	1	1	1	1	1
‡	V02544	Halogen Lamp PAR20 50W	3	3	3	3	3	3	3	3
‡*		Warming Lamp BR40, 250W max.	2	2	2	2	2	2	2	2

‡ Not shown.
* Purchase locally.

17. WARRANTY

BROAN-NUTONE ONE YEAR LIMITED WARRANTY

Broan-NuTone warrants to the original consumer purchaser of its products that such products will be free from defects in materials or workmanship for a period of one year from the date of original purchase. THERE ARE NO OTHER WARRANTIES, EXPRESS OR IMPLIED, INCLUDING, BUT NOT LIMITED TO, IMPLIED WARRANTIES OR MERCHANTABILITY OR FITNESS FOR A PARTICULAR PURPOSE.

During this one-year period, Broan-NuTone will, at its option, repair or replace, without charge, any product or part which is found to be defective under normal use and service.

This warranty does not cover (a) normal maintenance and service or (b) any products or parts which have been subject to misuse, negligence, accident, improper maintenance or repair (other than by Broan-NuTone), faulty installation or installation contrary to recommended installation instructions.

The duration of any implied warranty is limited to the one-year period as specified for the express warranty. Some states and /or provinces do not allow limitation on how long an implied warranty lasts, so the above limitation may not apply to you.

BROAN-NUTONE'S OBLIGATION TO REPAIR OR REPLACE, AT BROAN-NUTONE'S OPTION, SHALL BE THE PURCHASER'S SOLE AND EXCLUSIVE REMEDY UNDER THIS WARRANTY. BROAN-NUTONE SHALL NOT BE LIABLE FOR INCIDENTAL, CONSEQUENTIAL OR SPECIAL DAMAGES ARISING OUT OF OR IN CONNECTION WITH PRODUCT USE OR PERFORMANCE. Some states and/or provinces do not allow the exclusion or limitation of incidental or consequential damages, so the above limitation or exclusion may not apply to you.

This warranty gives you specific legal rights, and you may also have other rights, which vary from state to state, or province to another. This warranty supersedes all prior warranties.

To qualify for warranty service, you must (a) notify Broan-NuTone at the address or telephone number below, (b) give the model number and part identification and (c) describe the nature of any defect in the product or part. At the time of requesting warranty service, you must present evidence of the original purchase date.

In case of discrepancies between the english version and the french and or spanish version of this warranty, the english version will prevail.

Broan-NuTone LLC, 926 West State Street, Hartford, WI 53027
(1-800-637-1453)

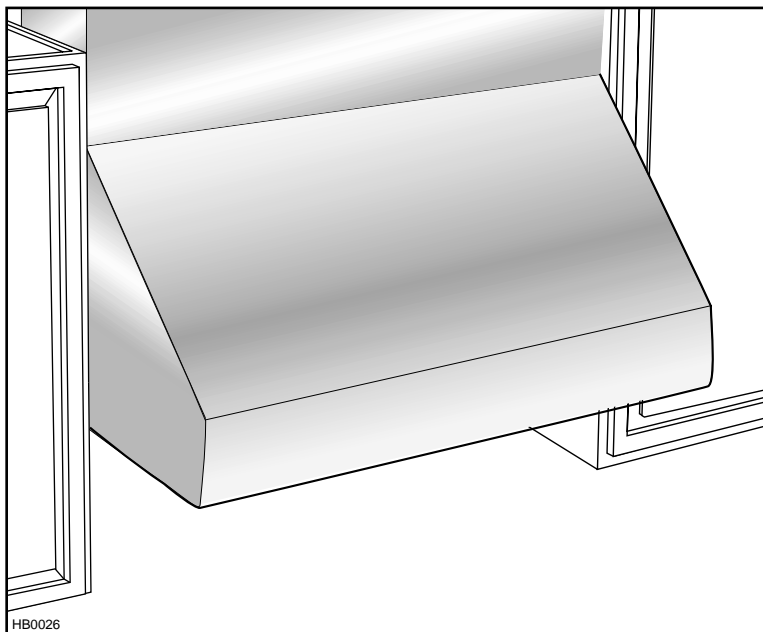
NuTone, Inc., 4820 Red bank Road, Cincinnati, OH 45227
(1-800-543-8687)

Broan-NuTone Canada, Inc., 1140 Tristar Drive, Mississauga, ON L5T 1H9
(1-888-882-7626)

RANGEMASTER

B Y B R O A N - N U T O N E

GUIDE D'INSTALLATION ET D'UTILISATION DES HOTTES DE CUISINIÈRE SÉRIE RM60000



USAGE RÉSIDENTIEL SEULEMENT

LIRE ET CONSERVER CES INSTRUCTIONS

INSTALLATEUR : LAISSER CE GUIDE AU PROPRIÉTAIRE.
PROPRIÉTAIRE : INSTRUCTIONS D'UTILISATION
ET D'ENTRETIEN EN PAGE 27.

Broan-NuTone LLC, 926 West State Street, Hartford, WI 53027 (1-800-637-1453)

NuTone, Inc., 4820 Red Bank Road, Cincinnati, OH 45227 (1-800-543-8687)

Broan-NuTone Canada, Inc., 1140 Tristar Drive, Mississauga, ON L5T 1H9 (1-888-882-7626)

V05527 rev B

AVERTISSEMENT

AFIN DE RÉDUIRE LES RISQUES D'INCENDIE, D'ÉLECTROCUTION OU DE BLESSURES CORPORELLES, SUIVEZ LES INSTRUCTIONS SUIVANTES :

1. N'utilisez cet appareil que de la façon prévue par le fabricant. Si vous avez des questions, contactez le fabricant à l'adresse et au numéro de téléphone indiqués sur la garantie.
2. Avant de réparer ou de nettoyer l'appareil, couper l'alimentation électrique en verrouillant le panneau de service afin d'éviter sa remise en marche accidentelle. Si le panneau de service ne peut être verrouillé, y fixer un avertissement en évidence.
3. Les travaux d'installation et de raccordement électrique doivent être effectués par une personne qualifiée, conformément aux codes et standards de construction, incluant ceux concernant le feu.
4. Une quantité d'air adéquate est requise afin d'assurer une bonne combustion et l'évacuation des gaz par la cheminée dans le cas des équipements alimentés au gaz, afin de prévenir les retours de cheminée. Conformez-vous aux instructions et aux standards de sécurité des fabricants d'équipement de chauffage, tels que publiés par le National Fire Protection Association (NFPA) et l'American Society for Heating, Refrigeration and Air Conditioning Engineers (ASHRAE), ainsi que les responsables des codes locaux.
5. Lorsque vous coupez ou percez un mur ou un plafond, prenez garde de ne pas endommager les fils électriques ou tout appareil cachés.
6. Les ventilateurs avec conduits doivent toujours être ventilés à l'extérieur.
7. Ne pas utiliser cet appareil avec une commande de vitesse à semi-conducteur additionnelle.
8. Afin de réduire les risques d'incendie, n'utilisez que des conduits de métal.
9. Cet appareil doit être mis à la terre.

AFIN DE RÉDUIRE LES RISQUES DE FEU DE CUISINIÈRE :

- a) Ne jamais laisser les appareils de cuisson sans surveillance lorsqu'ils sont réglés à feu vif. Les débordements engendrent de la fumée et des déversements graisseux pouvant s'enflammer. Chauffez l'huile lentement, à feu doux ou moyen.
- b) Toujours mettre la hotte en marche lorsque vous cuisinez à feu vif ou que vous cuisinez des mets flambés.
- c) Nettoyez régulièrement la roue du ventilateur. Ne laissez pas la graisse s'accumuler sur le ventilateur ou les filtres.
- d) Utilisez le bon format de casserole. Servez-vous toujours de casseroles et d'ustensiles appropriés à la dimension de la surface chauffante.

AVERTISSEMENT

AFIN D'ÉVITER TOUT RISQUE DE BLESSURES DANS LE CAS D'UN FEU DE CUISINIÈRE, SUIVEZ CES INSTRUCTIONS* :

1. Éteignez les flammes avec un couvercle hermétique, une tôle à biscuits ou un plateau métallique et ensuite, éteindre le brûleur. PRENEZ SOIN D'ÉVITER LES BRÛLURES. SI LES FLAMMES NE S'ÉTEIGNENT PAS IMMÉDIATEMENT, ÉVACUEZ LES LIEUX ET APPELEZ LES POMPIERS.
2. NE PRENEZ JAMAIS UNE CASSEROLE EN FLAMMES DANS VOS MAINS – Vous pourriez subir des brûlures.
3. N'UTILISEZ PAS D'EAU, incluant linge à vaisselle ou serviette mouillés – ceci pourrait occasionner une violente explosion.
4. Utilisez un extincteur QUE DANS LE CAS OÙ :
 - A. Vous savez qu'il s'agit d'un extincteur de classe ABC et que vous en connaissez le fonctionnement.
 - B. L'incendie est petit et limité à l'endroit où il a débuté.
 - C. Les pompiers ont été avisés.
 - D. Vous pouvez combattre l'incendie en ayant accès à une sortie de secours.

*Tirées du "Kitchen Fire Safety Tips" publié par la NFPA.

ATTENTION

1. Pour usage domestique seulement. Ne pas utiliser pour évacuer des vapeurs ou des produits dangereux ou explosifs.
2. Afin d'éviter tout dommage au moteur et de débalancer, ou de rendre bruyante la roue du moteur, garder votre appareil à l'abri des poussières de placoplâtre et de construction/rénovation, etc.
3. Le moteur de votre hotte possède une protection thermique qui éteindra automatiquement le moteur s'il devient surchauffé. Le moteur repartera automatiquement une fois refroidi. Si le moteur continue à arrêter et à repartir, faites-le vérifier.
4. Pour une meilleure évacuation des odeurs de cuisine, le bas de votre hotte devrait être à un minimum de 24" et un maximum de 30" au-dessus de la surface de cuisson.
5. Veuillez consulter l'autocollant apposé à l'intérieur de la hotte pour plus d'information ou autres exigences.
6. Afin de réduire les risques d'incendie, assurez-vous d'évacuer l'air à l'extérieur – Ne pas évacuer l'air dans des espaces restreints comme l'intérieur des murs ou plafond ou dans le grenier, faux plafond ou garage.
7. Ce produit est équipé d'un thermostat pouvant faire démarrer le ventilateur automatiquement. Afin de réduire le risque de blessure, couper le courant à partir du panneau électrique et verrouillez ou apposez un avertissement sur le panneau afin de prévenir que la hotte soit mise en marche automatiquement.
8. La hotte de cuisinière Série RM60000 doit être installée uniquement avec un des ventilateurs suivants : RM325H, RM326H, 331H, 332H, 335 ou 336 (vendus séparément). Aucun autre ventilateur ne doit être utilisé.

TABLE DES MATIÈRES

1.0	CHOISIR L'OPTION VENTILATEUR ET INSTALLER LES CONDUITS21
2.0	MESURER L'INSTALLATION22
3.0	PRÉPARER L'INSTALLATION22
4.0	INSTALLER LE DOSSERET23
5.0	INSTALLER LA LISIÈRE DE BOIS23
6.0	INSTALLER LA HOTTE23
7.0	INSTALLER LA TRANSITION À LA PLAQUE VENTILATEUR24
8.0	INSTALLER LA PLAQUE VENTILATEUR SUR LA HOTTE24-25
9.0	INSTALLER LE COUVRE-CONDUITS25
10.0	INSTALLER LE VENTILATEUR25
11.0	INSTALLER LES AMPOULES ET LAMPES CHAUFFANTES25
12.0	INSTALLER LES FILTRES26
13.0	ENTRETIEN27
14.0	FONCTIONNEMENT28
15.0	SCHÉMA ÉLECTRIQUE29
16.0	PIÈCES DE REMPLACEMENT30-31
17.0	GARANTIE32

Capuchons de mur ou toit, Ventilateurs ext.

MODÈLE 331H
(600 pcm) OU
332H (900 pcm)
(Ventilateur ext.)

MODÈLE 335
(1200 pcm) OU
336 (1500 pcm)
(Ventilateur ext.)

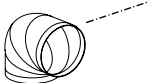
MODÈLE 437
(capuchon de toit à haute capacité)

MODÈLE 441
(capuchon de toit 10" rond)

MODÈLE 647
(capuchon de mur 7" rond)

MODÈLE 634
OU 644
(Capuchon de toit)

Coudes & Volets intérieurs



MODÈLE 418
(Coude ajustable 10" rond)



MODÈLE 421
(Volet intérieur vertical 10" rond)

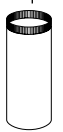


MODÈLE 415
(Coude ajustable 7" rond)

Conduits



MODÈLE 410
(Conduit rond 10" - Sections de 2')



MODÈLE 407
(Conduit rond 7" - Sections de 2')

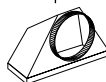
Choisir 1 des 5 transitions



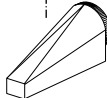
MODÈLE 427
(4 1/2" x 18 1/2" à 10" rond., 6" haut - latérale)



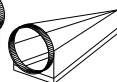
MODÈLE 423
(4 1/2" x 18 1/2" à 10" rond - verticale)



MODÈLE 424
(4 1/2" x 18 1/2" à 10" rond - horiz. avant / arrière)



MODÈLE 454
(4 1/2" x 18 1/2" à 10" rond. - horiz. / droite)



MODÈLE 453
(4 1/2" x 18 1/2" à 10" rond - horiz. / gauche)

PLAQUE VENTILATEUR MODÈLE 332KR

(à utiliser avec tous les modèles de ventilateurs ext. : 331H, 332H, 335 et 336)

MODÈLE RM326H VENTILATEUR / PLAQUE VENTILATEUR

(1200 pcm ventilateur intérieur et plaque ventilateur)

COUVRE-CONDUITS SÉRIE RMN OPT.

MODÈLE RM325H VENTILATEUR / PLAQUE VENTILATEUR

(600 pcm vent. intérieur et plaque ventil.)

HOTTE SÉRIE RM60000

(avec contrôle ventilateur et éclairage. Requis pour toutes les installations.)

FILTRES À CHICANES OPT. SÉRIE RBF

DOSSERET SÉRIE RMP

(Recouvrement de mur en acier inoxydable avec support assiettes. Facultatif.)

RANGEMASTER

BY BROAN - NUTONE

SÉRIE RM60000

SYSTÈME HOTTE DE CUISINIÈRE

HL0030

1. CHOISIR L'OPTION VENTILATEUR ET INSTALLER LES CONDUITS

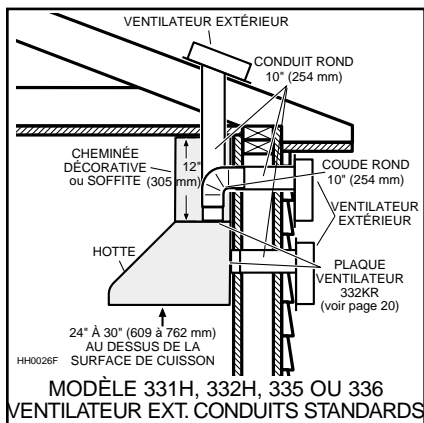
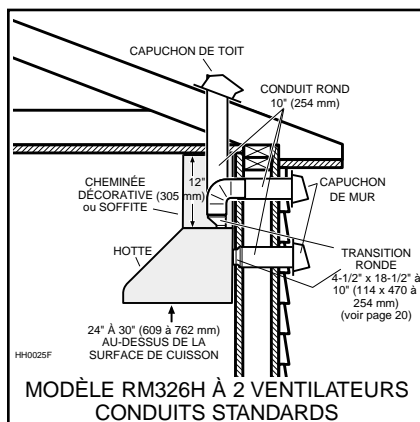
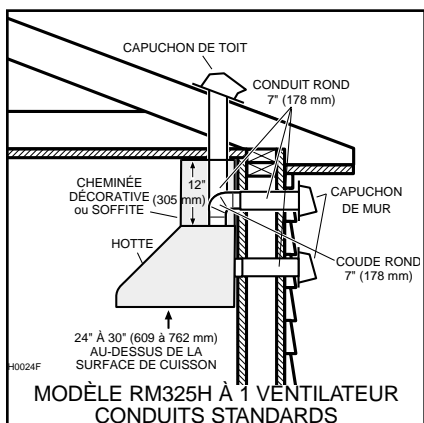
La hotte de cuisinière Série RM60000 fonctionne autant avec un ventilateur extérieur qu'intérieur. Elle doit être installée uniquement avec un des ventilateurs suivants : RM325H, RM326H, 331H, 332H, 335 ou 336 (vendus séparément). Aucun autre ventilateur ne doit être utilisé.

NOTES : 1. Le ventilateur extérieur 331H, 332H, 335 ou 336 DOIT être installé avec la plaque ventilateur modèle 332KR (vendue séparément).

2. En plus des modèles de ventilateurs énumérés ci-dessus, cette hotte est aussi compatible avec les anciennes versions de modèles de ventilateurs internes, soit les 325H et 326H. Si ces ventilateurs sont utilisés, jeter les instructions d'installation comprises avec ces ventilateurs. Veuillez contacter notre soutien technique afin d'obtenir les nouvelles instructions d'installation.

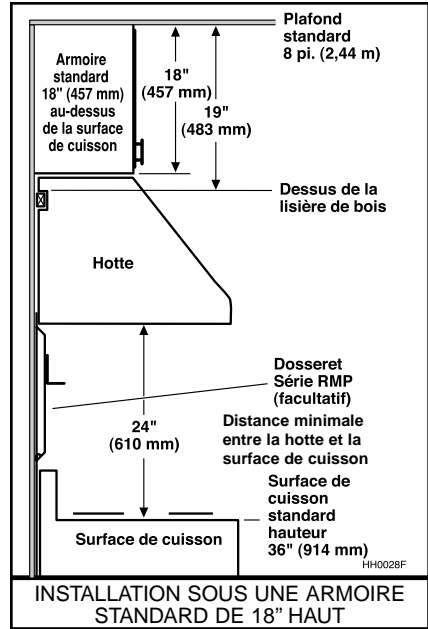
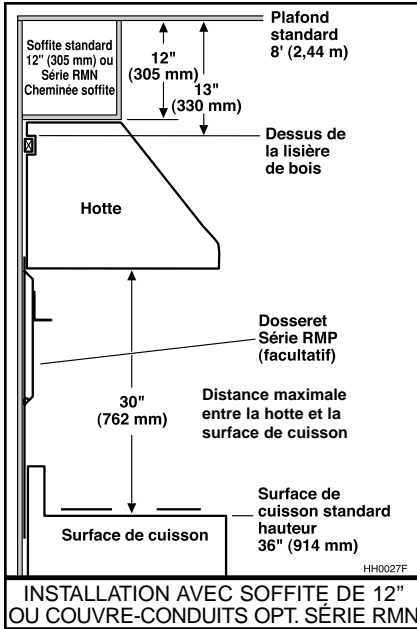
Déterminer à quel endroit et de quelle façon les conduits seront localisés.

Installer des conduits de dimension appropriée, transition(s), coude(s) et capuchon de toit ou de mur, au moteur utilisé.



2. MESURER L'INSTALLATION

Les dimensions pour les installations les plus courantes sont indiquées plus bas. Ajustez vos mesures pour les différentes hauteurs de plafond, soffite, armoires ou surfaces de cuisson. **Afin d'assurer un meilleur fonctionnement, la hotte doit être à un minimum de 24" (610 mm) et à un maximum de 30" (762 mm) au-dessus de la surface de cuisson.**



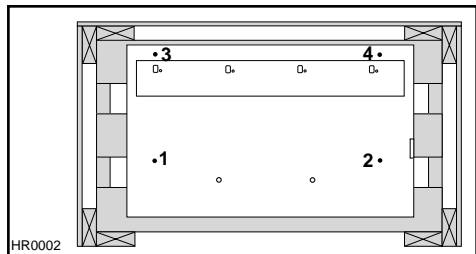
3. PRÉPARER L'INSTALLATION

Retirer la trousse d'installation de l'intérieur de la hotte.

S'assurer que les items suivants soient présents :

- Lisière de bois
- Guide d'installation
- Accessoires incluant :
 - .Les filtres (la quantité varie selon la largeur de la hotte)
 - .Sac de quincaillerie incluant :
 - Vis #10 - 2" à tête plate (4), Vis #8 - 3/4" (8), Écrous #10 - 32 (4)
 - Ancrages de gypse (2), Rondelles 3/16" DI X 3/4" DE (2)

À l'aide d'un tournevis Phillips #2 ou d'un Robertson #2, retirer les vis retenant la hotte au fond de la caisse. Voir la figure ci-contre pour localiser les 4 vis. Jeter ces vis et retirer la hotte de la caisse.



4. INSTALLER LE DOSSERET

(Facultatif) Série RMP

Le dossier doit être installé avant la hotte puisque celle-ci couvre les vis d'installation du dossier. Afin de pouvoir installer le dossier, s'assurer d'avoir au moins 18" (457 mm) entre le dessus de la hotte et le panneau de contrôle de la cuisinière ou de la surface de cuisson (Voir les instructions fournies avec le dossier.)

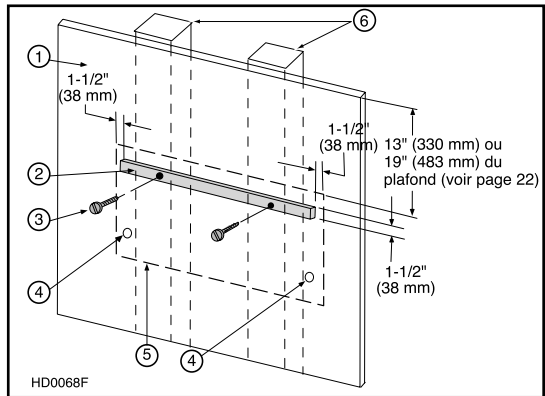
5. INSTALLER LA LISIÈRE DE BOIS

Mesurer puis tracer une ligne droite, au-dessus de la surface de cuisson, pour la localisation de la lisière de bois. À l'aide des vis à tête plate #10 - 2", fixer la lisière de bois au mur en vous assurant d'atteindre les montants. (Voir l'illustration de l'étape 2 et celle ci-dessous.)

ATTENTION

A cause du poids élevé de cette hotte, s'assurer que la lisière de bois est bien rattachée à tous les montants disponibles (un minimum de deux montants doivent être en contact avec la lisière de bois pour une hotte de 30", plus pour une plus large). Ne pas visser la lisière de bois seulement au mur.

1. Mur
2. Lisière de bois
3. Vis à tête fraisée
4. Localisation des ancrages de gypse
5. Tracé de l'arrière de la hotte
6. Montants



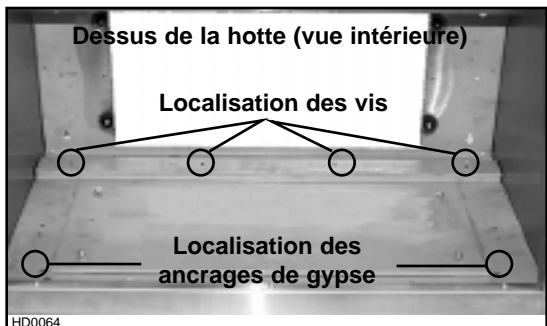
6. INSTALLER LA HOTTE

En appuyant la hotte au mur, insérer la lisière de bois dans la cavité arrière de la hotte.

ATTENTION

Retenir la hotte jusqu'à ce qu'elle soit complètement vissée à la lisière de bois.

Fixer la hotte à la lisière de bois à l'aide de (4) vis #8 - 3/4" (pour les hottes de 30" et 36") ou (6) vis (pour les hottes de 42" et plus) fournies, aux endroits indiqués. En se servant des trous existants dans la hotte, percer le mur de (2) trous de 3/16" pour les ancrages de gypse, aux endroits indiqués. Puis, insérer les deux ancrages de gypse et fixer la hotte à ces ancrages avec les (2) vis restantes #8 - 3/4" et les (2) rondelles fournies.



7. INSTALLER LA TRANSITION À LA PLAQUE VENTILATEUR

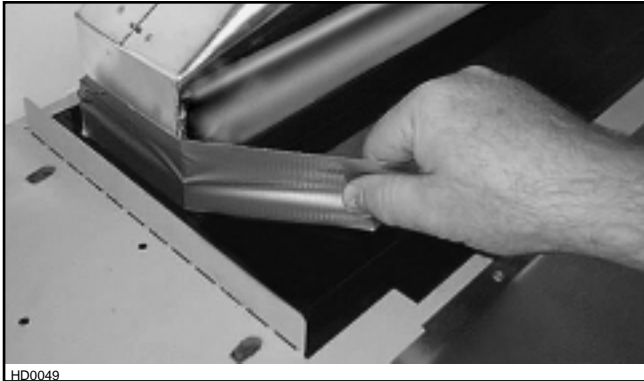
Modèles 423, 424, 427, 453 ou 454

Fixer la transition (si requise) à la plaque ventilateur.

Sceller tous les joints avec du ruban à conduits.

NOTE : La plaque ventilateur du modèle RM325H à un ventilateur se branche directement à un conduit rond de 7", sans transition.

Les ventilateurs extérieurs utilisent la plaque ventilateur 332KR; elle se branche directement à un conduit rond de 10", sans transition.



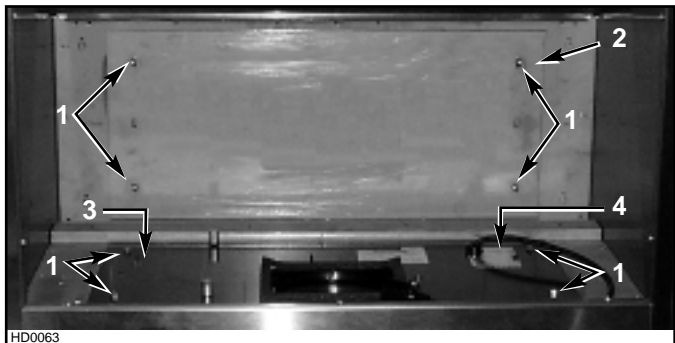
8. INSTALLER LA PLAQUE VENTILATEUR SUR LA HOTTE

Amener le câble d'alimentation à la localisation de la hotte. Pour les détails concernant l'installation de la plaque ventilateur, voir les instructions comprises avec celle-ci (vendue séparément). Installer la plaque de façon à ce que son boîtier électrique soit à droite, lorsque vous faites face à la hotte.

Si vous choisissez l'évacuation par l'arrière, retirer la plaque de l'arrière de la hotte et l'installer sur le dessus pour couvrir l'ouverture. Fixer à la hotte avec les mêmes écrous dentelés.

Pour une évacuation par le dessus, laisser la plaque à l'arrière de la hotte.

1. Écrous dentelés
2. Plaque sur le dessus de la hotte
3. Plaque ventilateur à l'arrière de la hotte
4. Couvercle du boîtier électrique



Relier les conduits à la transition ou à la plaque ventilateur. Utiliser du ruban à conduit afin d'assurer l'étanchéité de tous les joints.

8. INSTALLER LA PLAQUE VENTILATEUR SUR LA HOTTE (SUITE)

Branchements électriques

⚠ AVERTISSEMENT

Risque de chocs électriques. Le raccordement électrique doit être effectué par du personnel qualifié conformément aux codes et standards. Avant d'effectuer le branchement, coupez l'alimentation électrique au panneau de service et verrouillez-le pour éviter une mise en marche accidentelle.

Retirer le couvercle du boîtier électrique de la plaque ventilateur et mettre de côté.

Retirer l'ouverture pré-amorcée du boîtier électrique. En installant la plaque ventilateur, insérer une longueur de 6" de câble d'alimentation dans le boîtier électrique par son ouverture et brancher le câble en utilisant le connecteur approprié.

Effectuer le branchement électrique tel qu'indiqué dans les instructions d'installation du ventilateur.

Réinstaller le couvercle du boîtier électrique.

9. INSTALLER LE COUVRE-CONDUITS OPTIONNEL

(OPTIONEL) *Séries RMN*

Voir les instructions incluses avec le couvre-conduits optionnel.

10. INSTALLER LE VENTILATEUR

Brancher le ventilateur et le cordon de la boîte électrique aux prises, à l'intérieur de la hotte. **NE PAS** brancher ensemble les deux cordons.



11. INSTALLER LES AMPOULES ET LAMPES CHAUFFANTES

Installer deux lampes chauffantes. Utiliser des infrarouges de format BR40, 250W maximum (non incluses).

Installer trois ampoules halogènes. Utiliser des ampoules de format PAR 20, 50W (non incluses).

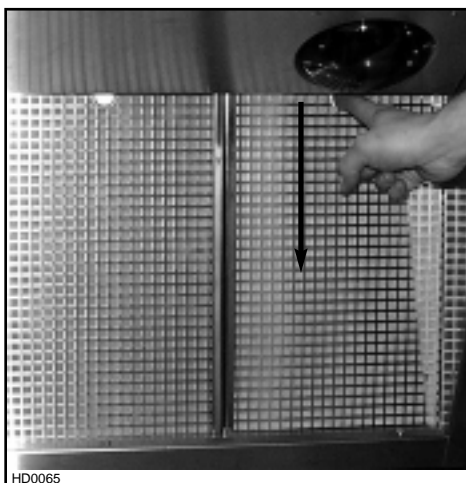
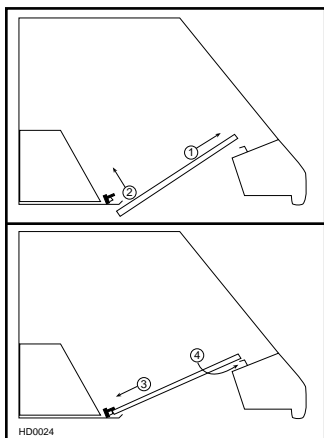
12. INSTALLER LES FILTRES

ATTENTION

Retirer le film de plastique protecteur des filtres avant de les installer.

Il est recommandé d'installer d'abord les filtres situés aux extrémités et de terminer par le(s) filtre(s) du centre.

1. Insérer la partie supérieure du filtre dans la hotte (côté de la poignée).
2. Faire pivoter la partie inférieure vers l'intérieur de la hotte.
3. Placer le filtre sous l'attache située au fond de la hotte.
4. En utilisant la poignée, glisser le filtre sous la pièce de retenue intérieure.



Des filtres de remplacement sont disponibles chez votre détaillant. Consulter l'étiquette située à l'intérieur de la hotte pour le numéro de pièce et le format.

Filtres à chicane

Ces filtres sont disponibles en option. Pour les commander, se référer au tableau ci-dessous pour trouver le numéro de kit correspondant à la hotte. Pour les installer, se référer à la feuille d'instruction incluse dans le kit de filtres à chicane).



FILTRE À CHICANE (TYPIQUE)

KIT #	LARGEUR DE HOTTE
RBF6030	30"
RBF6036	36"
RBF6042	42"
RBF6048	48"
RBF6054	54"
RBF6060	60"
RBF6066	66"
RBF6072	72"

13. ENTRETIEN

Filters

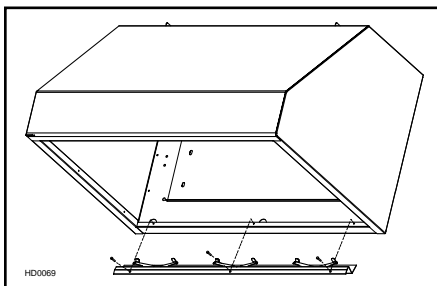
Les filtres doivent être nettoyés fréquemment. Utiliser une solution d'eau chaude et de détergent. Les filtres sont lavables au lave-vaisselle. Les filtres doivent être lavés plus souvent si vos habitudes de cuisson génèrent plus de graisse - comme par exemple de la friture ou des aliments sautés au wok. Pour retirer les filtres, pousser chaque filtre vers le bas en utilisant la poignée afin des dégager de la pièce de retenue. Puis, pousser vers l'intérieur de la hotte et les retirer.

Nettoyage du ventilateur

Retirer les filtres pour accéder au ventilateur. Passer l'aspirateur pour le nettoyer ; ne pas l'immerger dans l'eau. Pour plus de détails, consulter le guide d'instruction du ventilateur.

Gouttière

La gouttière doit être nettoyée fréquemment, surtout si des filtres à chicanes sont utilisés. Retirer les filtres, puis désassembler la gouttière de la hotte en dévissant ses 3 vis de retenue. Voir l'illustration ci-contre.



Consulter la section nettoyage de l'*acier inoxydable* dans la section nettoyage de la hotte ci-dessous. Une fois la gouttière propre et sèche, la réassembler sur la hotte et réinstaller les filtres.

Nettoyage de la hotte

Acier inoxydable : Comment préserver son « APPARENCE ÉTINCELANTE »

À faire :

- Laver régulièrement les surfaces à l'aide d'un chiffon ou linge propre imbibé d'eau tiède et de savon doux ou détergent à vaisselle.
- Toujours nettoyer dans la direction des lignes de grains (direction du polissage).
- Toujours bien rincer avec de l'eau propre (2 ou 3 fois) essuyer complètement.
- Vous pouvez également utiliser un nettoyant domestique conçu spécialement pour l'acier inoxydable.

À ne pas faire :

- N'utilisez aucune laine d'acier ou d'acier inoxydable ou tout autre grattoir pour enlever la saleté tenace.
- N'utilisez aucune poudre nettoyante abrasive ou rugueuse.
- Ne laissez pas la saleté s'accumuler.
- Ne pas laisser la poussière de plâtre ou tout autre résidu de construction/rénovation atteindre la hotte. Couvrir la hotte pour la durée des travaux pour s'assurer qu'aucune poussière ne colle à la surface de l'acier.

À éviter lors du choix d'un détergent :

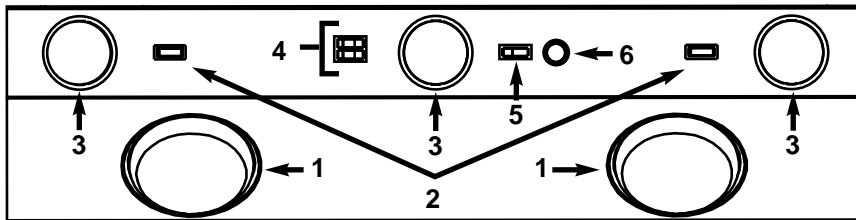
- Tous produits nettoyants qui contiennent des **agents de blanchiment** ; ils attaqueront l'acier inoxydable.
- Tous produits contenant du **chlorure, fluorure, iode** ou **bromure** ; ils détérioreront rapidement les surfaces.
- Tous **produits combustibles** utilisés pour le nettoyage : **acétone, alcool, éther, benzol**, etc. : ils sont hautement explosifs et ne devraient jamais être utilisés près d'une cuisinière.

Surfaces peintes :

Nettoyer avec de l'eau chaude additionnée seulement d'un détergent doux. S'il y a décoloration, utilisez une bonne cire à peinture telle qu'une cire d'automobile. (**NE PAS UTILISER** de nettoyant abrasif ou de nettoyant à porcelaine.)

14. FONCTIONNEMENT

Toujours mettre en marche la hotte avant de commencer la cuisson afin d'établir une circulation d'air dans la cuisine. Aussi, laisser la hotte fonctionner quelques minutes après l'arrêt de la cuisinière afin de nettoyer l'air. Ceci aidera à garder la cuisine plus propre et plus claire.



HC0004

1. Lampes réchauds

2. Interrupteurs de lampes réchauds

3. Les lampes halogènes

4. Interrupteurs de lampes halogènes

5. Interrupteur Marche/Arrêt du ventilateur

6. Contrôle de la vitesse du ventilateur

Lampes réchauds

Chaque lampe réchaud (item 1 de l'illustration ci-dessus) possède son propre interrupteur Marche/Arrêt (item 2 de l'illustration ci-dessus).

N'utiliser que des ampoules infrarouges BR40, 250W max. (non incluses).

AVERTISSEMENT

Ne jamais placer de matière inflammable sous les lampes chauffantes.

Éclairage (Halogène)

Les interrupteurs doubles Marche/Arrêt (item 4 de l'illustration ci-dessus) contrôlent les lampes halogènes (item 3 de l'illustration ci-dessus).

L'interrupteur avant contrôle la lampe centrale. L'interrupteur arrière contrôle les deux lampes de côté. Choisir une, deux ou trois lampes selon vos préférences d'éclairage. Utiliser des ampoules halogènes PAR 20, 50W (non incluses).

Ventilateur

Le ventilateur est contrôlé par (2) commandes.

Utiliser l'interrupteur lumineux rouge (Marche/Arrêt) (item 5 de l'illustration ci-dessus) pour actionner ou arrêter le moteur. Une fois mis en marche, le ventilateur fonctionnera à la vitesse pré-sélectionnée par la commande de vitesse (item 6 de l'illustration ci-dessus).

Pour augmenter la vitesse du ventilateur, tourner le bouton de contrôle de la vitesse dans le sens horaire - dans le sens anti-horaire pour ralentir la vitesse.

HEAT SENTRY^{MC}

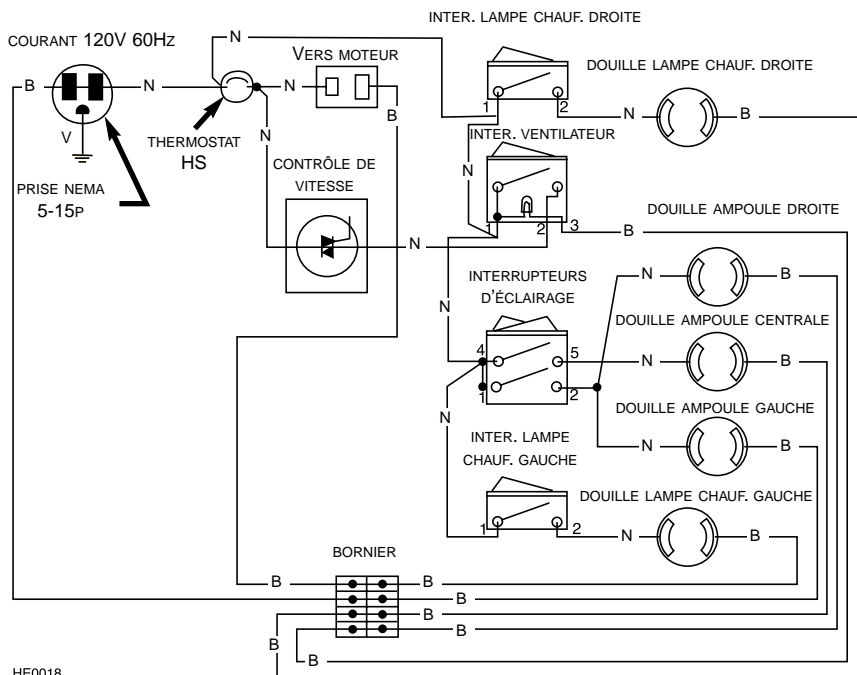
Votre hotte est munie d'un thermostat HEAT SENTRY^{MC}. Ce thermostat est un dispositif qui actionnera ou augmentera la vitesse du ventilateur s'il détecte une chaleur excessive au-dessus de la surface de cuisson.

- 1) Si le ventilateur n'est pas en marche - il actionnera le ventilateur en haute vitesse.
 - 2) Si le ventilateur fonctionne en basse vitesse - le ventilateur tournera en haute vitesse.
- Lorsque la température revient à la normale, le ventilateur retourne à sa vitesse d'origine.

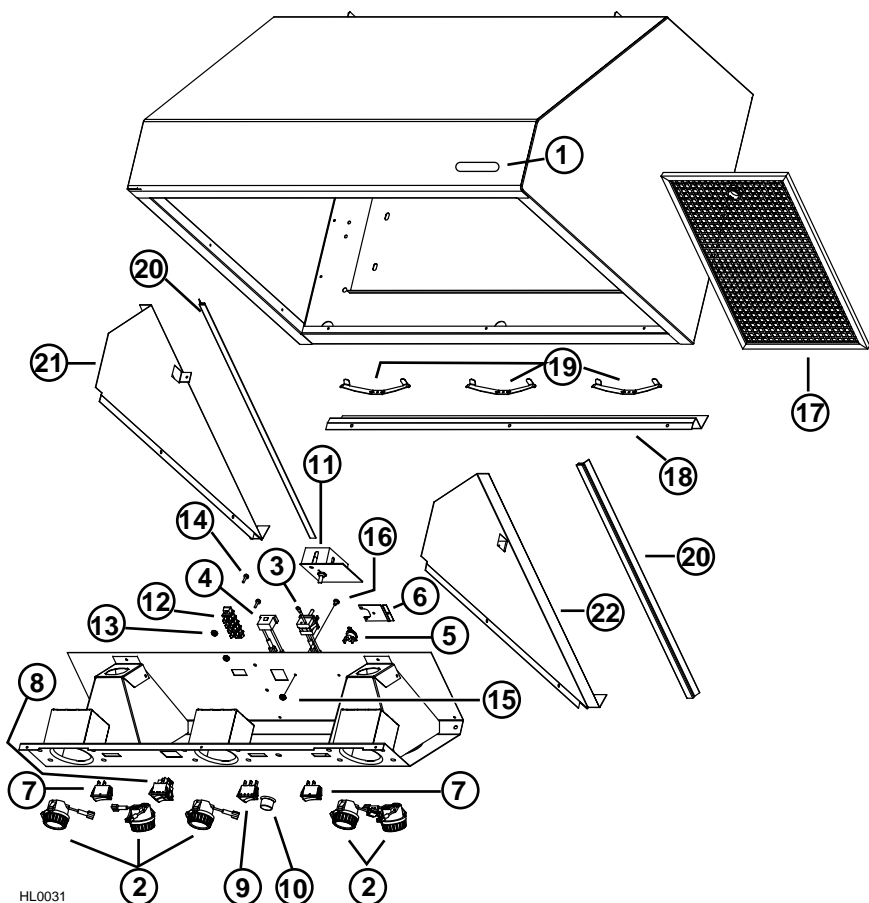
AVERTISSEMENT

Le thermostat HEAT SENTRY^{MC} peut actionner la hotte même si la hotte est arrêtée. Si tel est le cas, il est impossible de l'arrêter avec l'interrupteur. Si vous devez arrêter le ventilateur, faites-le à partir du panneau électrique principal.

15. SCHÉMA ÉLECTRIQUE



16. PIÈCES DE REMPLACEMENT



HL0031

16. PIÈCES DE REMPLACEMENT (SUITE)

NO.DE REF.	NO. DE LA PIÈCE	DESCRIPTION	QTÉ (LARGEUR DE HOTTE)							
			30"	36"	42"	48"	54"	60"	66"	72"
1	V03493	Logo Rangemaster	1	1	1	1	1	1	1	1
2	V02264	Douille	5	5	5	5	5	5	5	5
3	V02773	Connecteur mâle	1	1	1	1	1	1	1	1
4	V02772	Connecteur femelle	1	1	1	1	1	1	1	1
5	V03435	Thermostat	1	1	1	1	1	1	1	1
6	V03436	Support pour thermostat	1	1	1	1	1	1	1	1
7	V02563	Inter. simple UPST pour lampe chauffante	2	2	2	2	2	2	2	2
8	V03502	Inter. double UPST pour lampe halogène	1	1	1	1	1	1	1	1
9	V03503	Inter. simple illuminé UPST ventilateur	1	1	1	1	1	1	1	1
10	V03504	Bouton contrôle de vitesse	1	1	1	1	1	1	1	1
11	V03501	Contrôle de vitesse	1	1	1	1	1	1	1	1
12	V03505	Plaque à bornes	1	1	1	1	1	1	1	1
‡	V03517	Cordon d'alimentation 10"	1	1	1	1	1	1	1	1
‡	V03519	Fil de contrôle 10"	1	1	1	1	1	1	1	1
‡	V03520	Fil interrupteur illuminé 10"	1	1	1	1	1	1	1	1
13	V00673	Écrou dentelé 8-32	2	2	2	2	2	2	2	2
14	V02512	Vis quadrex 8-32 x 1/2	2	2	2	2	2	2	2	2
15	V01869	Vis mécanique 8-32 x 1/4	2	2	2	2	2	2	2	2
16	V01582	Écrou dentelé 6-32	2	2	2	2	2	2	2	2
17	V05522	Filtre à grille carrée 9.5 x 15.25 x 0.355	3	-	-	-	-	-	-	-
17	V05523	Filtre à grille carrée 11.61 x 15.25 x 0.355	-	3	-	4	-	5	2	-
17	V05524	Filtre à grille carrée 13.61 x 15.25 x 0.355	-	-	3	-	-	-	3	-
17	V05525	Filtre grille carrée 17.525 x 15.25 x 0.355	-	-	-	-	3	-	-	4
18	V14763	Gouttière 30"	1	-	-	-	-	-	-	-
18	V14764	Gouttière 36"	-	1	-	-	-	-	-	-
18	V14765	Gouttière 42"	-	-	1	-	-	-	-	-
18	V14766	Gouttière 48"	-	-	-	1	-	-	-	-
18	V14767	Gouttière 54"	-	-	-	-	1	-	-	-
18	V14768	Gouttière 60"	-	-	-	-	-	1	-	-
18	V14769	Gouttière 66"	-	-	-	-	-	-	1	-
18	V14770	Gouttière 72"	-	-	-	-	-	-	-	1
19	V05528	Ressort de filtre 5.265" x 0.350"	3	3	3	4	3	5	5	4
20	V05521	Extrusion d'étanchéité 20.625"	2	2	2	2	2	2	2	2
21	V14744	Paroi intérieure gauche	1	1	1	1	1	1	1	1
22	V14745	Paroi intérieure droite	1	1	1	1	1	1	1	1
‡	V05527	Guide d'installation	1	1	1	1	1	1	1	1
‡	V12971	Sac d'installation (Vis à tête plate #10 x 2" (4), Vis #8 x 3/4" (8), écrous #10-32 (4), Ancrages de gypse (2), Rondelles 3/16" DI x 3/4" DE (2))	1	1	1	1	1	1	1	1
‡	V02544	Ampoule halogène PAR20 50W	3	3	3	3	3	3	3	3
‡*		Ampoule chauffante BR40, 250W max.	2	2	2	2	2	2	2	2

‡ Non illustré

* S'approvisionner localement

17. GARANTIE

GARANTIE LIMITÉE D'UN AN DE BROAN-NUTONE

Broan-NuTone garantit à l'acheteur consommateur initial de ses produits qu'ils sont exempts de tous défauts dans les matières premières ou la main-d'œuvre pour une période d'un an à compter de la date d'achat par le consommateur initial. IL N'Y A PAS D'AUTRES GARANTIES, EXPRIMÉES OU IMPLICITES, INCLUANT, MAIS NON LIMITÉES AUX GARANTIES IMPLICITES POUR FIN DE COMMERCIALISATION ET DE CONVENANCE DANS UN BUT PARTICULIER.

Durant cette période d'un an, Broan-NuTone, à sa discrétion, réparera ou remplacera gratuitement, tout produit ou pièce qui s'avère défectueux et ayant été utilisé normalement et d'une manière non abusive.

Cette garantie ne couvre pas (a) l'entretien et le service normal ou (b) tout produit ou pièce endommagé par suite de mauvais usage, négligence, accident, entretien inapproprié ou réparation (autre que par Broan-NuTone), mauvaise installation ou installation non conforme au mode d'installation recommandé.

La durée de toute garantie implicite est limitée à une période d'un an tel que spécifié pour la garantie exprimée.

L'ENGAGEMENT DE BROAN-NUTONE DE RÉPARER OU DE REMPLACER, AU CHOIX DE BROAN-NUTONE, SERA LA SEULE OBLIGATION EXCLUSIVE SOUS CETTE GARANTIE. BROAN-NUTONE NE SE TIENDRA PAS RESPONSABLE DES DOMMAGES DIRECTS, INDIRECTS OU SPÉCIAUX SURVENANT À CAUSE DE OU EN RAPPORT À L'UTILISATION OU LA PERFORMANCE DE SES PRODUITS.

Cette garantie vous donne des droits légaux spécifiques et il se peut que vous ayez d'autres droits qui varient d'un état à un autre, ou d'une province à l'autre. Cette garantie annule toutes les autres garanties précédentes.

Pour le service sous garantie, vous devez (a) aviser Broan-NuTone à l'adresse ou au numéro de téléphone mentionné plus bas, (b) donner le numéro du modèle et l'identification de la pièce et (c) décrire la nature de tout défaut dans le produit ou la pièce. Au moment de la demande de service sous garantie, vous devez présenter une preuve de la date d'achat initial du dit produit.

En cas de divergences entre la version anglaise de cette garantie et la version française et/ou espagnole, la version anglaise prévaudra.

Broan-NuTone LLC, 926 West State Street Hartford, WI 53027
(1-800-637-1453)

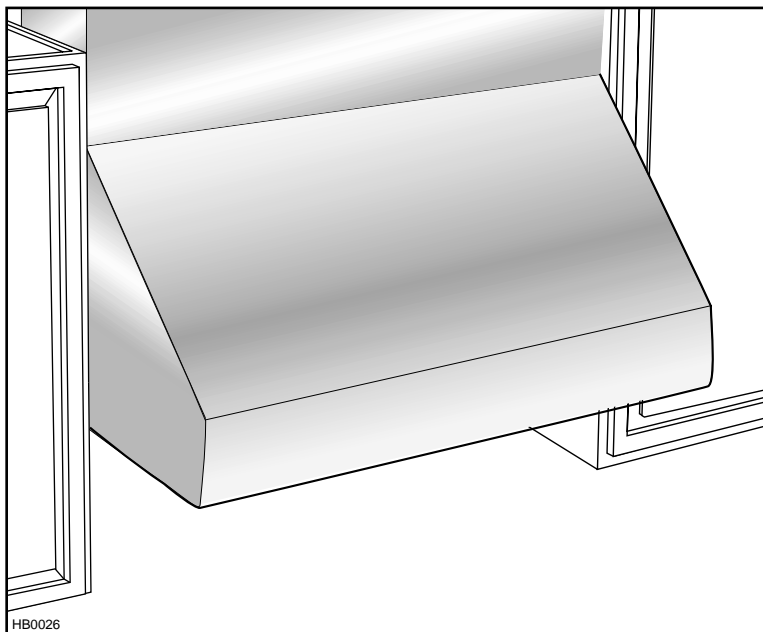
NuTone, Inc., 4820 Red Bank Road, Cincinnati, OH 45227
(1-800-543-8687)

Broan-NuTone Canada, Inc., 1140 Tristar Drive, Mississauga, ON L5T 1H9
(1-888-882-7626)

RANGEMASTER

B Y B R O A N - N U T O N E

MANUAL DE INSTALACIÓN Y UTILIZACIÓN DE LAS CAMPANAS SERIE RM60000



HB0026

USO DOMÉSTICO SOLAMENTE

LEER Y CONSERVAR ESTAS INSTRUCCIONES

INSTALADOR: DEJAR ESTE MANUAL AL PROPIETARIO
PROPIETARIO: INSTRUCCIONES DE UTILIZACIÓN Y
MANTENIMIENTO EN LA PÁGINA 44

Broan-NuTone LLC, 926 West State Street, Hartford, WI 53027 (1-800-637-1453)

NuTone, Inc., 4820 Red Bank Road, Cincinnati, OH 45227 (1-800-543-8687)

Broan-NuTone Canada, Inc., 1140 Tristar Drive, Mississauga, ON L5T 1H9 (1-888-882-7626)

V05527 rev B

AVERTENCIA

PARA REDUCIR EL RIESGO DE INCENDIO, DESCARGA ELÉCTRICA, O LESIONES A PERSONAS, CUMPLA LOS SIGUIENTES PUNTOS :

1. Solamente use esta unidad de la manera propuesta por el fabricante. Si tiene alguna pregunta, comuníquese con el fabricante en la dirección o teléfono anotados en la garantía.
2. Antes de limpiar o poner en servicio la unidad, apague el interruptor en el panel de servicio, y asegure el panel de servicio para evitar que se encienda accidentalmente. Cuando el dispositivo para desconectar el servicio eléctrico no puede ser cerrado con algún tipo de traba, sujete fuertemente al panel de servicio, una etiqueta de advertencia prominente.
3. El trabajo de instalación y el alambrado eléctrico deben llevarse a cabo por personal calificado de acuerdo con todos los códigos y las normas aplicables, incluyendo los códigos y normas de construcción contra incendios.
4. Se requiere una cantidad de aire suficiente para la combustión y escape de gases por la chimenea del equipo de quemado de combustible para evitar salirse de las especificaciones y estándares de seguridad del fabricante, tales como los publicados por la Asociación nacional de protección contra incendios (NFPA por sus siglas en Inglés), y la Sociedad americana de ingenieros de calefacción, refrigeración y aire acondicionado (ASHRAE por sus siglas en Inglés), y los códigos de las autoridades locales.
5. Cuando corte o taladre en una pared o techo, no dañe los cables eléctricos, ni otras instalaciones ocultas.
6. Los ventiladores con conductos deben siempre ventilar hacia el exterior.
7. No use esta campana con ningún otro control de velocidad de estado sólido.
8. Para reducir todo riesgo de incendio, use solamente conductos en metal.
9. Esta unidad se debe conectar a tierra.

PARA REDUCIR EL RIESGO DE INCENDIO DE GRASA EN LA SUPERFICIE DE LA ESTUFA:

- a) No deje nunca los aparatos de cocer sin vigilancia a fuego vivo. Los desbordamientos producen humo y derrames grasiosos que pueden inflamarse. Caliente el aceite despacio, a fuego lento o mediano.
- b) Ponga en marcha siempre la campana al cocinar a temperaturas elevadas o al cocinar alimentos flameados.
- c) Limpie los ventiladores con frecuencia. No deje que la grasa se acumule en el ventilador ni en el filtro.
- d) Utilice cacerolas de tamaño apropiado. Emplee siempre un recipiente adecuado para el tamaño de la placa.

AVERTENCIA

PARA EVITAR RIESGO DE LESIONES PERSONALES EN CASO DE INCENDIO DE GRASA EN LA SUPERFICIE DE LA ESTUFA, OBSERVE LO SIGUIENTE*:

1. Cubra y sofoque las llamas con una tapa ajustada, azafate de hornear galletas, o azafate de metal, y luego apague el calentador. TENGA CUIDADO PARA EVITAR QUEMADURAS. Si la llamas no se apagan inmediatamente, HAY QUE EVACUAR Y LLAMAR LOS BOMBEROS.
2. NUNCA ALCE UNA SARTÉN QUE TENGA LLAMAS – Usted se puede quemarse.
3. NO USE AGUA, incluyendo trapos, lavaplatos mojados o toallas- puede que ocurran explosiones de vapor violentas.
4. Use un extintor SOLAMENTE si :
 - A. Usted sabe que tiene un extintor ABC y sabe usarlo.
 - B. El incendio es pequeño y está restringido al área donde empezó.
 - C. Se está llamando los bomberos.
 - D. Usted puede tratar de apagar el fuego teniendo una salida detrás suyo.

* Basado en "Kitchen Fire Safety Tips" publicado por la Asociación Nacional de protección contra Incendios (NFPA).

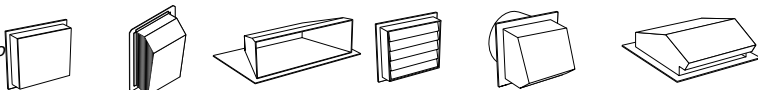
PRECAUCIÓN

1. Sólo para uso de ventilación general. No se use para extra materiales o vapores peligrosos o explosivos.
2. Para evitar daños al cojinete del motor y/o impulsores ruidosos o desequilibrados, mantenga la fuente de potencia lejos de rocíos de pared seca, de polvo de construcción, etc.
3. El motor de la campana tiene un dispositivo contra sobrecargas térmicas que apaga el motor en forma automática si éste se sobre calienta. El motor volverá arrancar cuando se enfríe. Si el motor sigue apagándose, haga verificar la campana.
4. Para lograr una mejor captura de las impurezas producidas al cocinar, la parte inferior de la campana deberá estar a un mínimo de 20" (24" de una cocina a gas) y un máximo de 30" sobre el nivel la superficie para cocinar.
5. Lea la etiqueta de especificaciones en el producto para mayor información y requisitos.
6. A fin de reducir los riesgos de incendio y para bien evacuar el aire de salida, asegúrese de evacuar el aire al exterior – No evacue el aire en espacios limitados como el interior de las paredes o del techo o en el desván, falso techo o garaje.
7. Este producto está equipado de un termostato que puede hacer partir el ventilador automáticamente. Para evitar los riesgo de daño, apague la corriente del panel eléctrico y cierre con candado o afiche una advertencia en el panel para prevenir que la campana funcione automáticamente.
8. Esta campana RM60000 serie debe ser instalada con ventilador modelo RM325H, RM326H, 331H, 332H, 335 o 336 solamente. Otros ventiladores no pueden reemplazar a este ventiladores.

ÍNDICE DE MATERIAS

1.0	SELECCIONE LA OPTION VENTILADOR Y INSTALE LOS CONDUCTOS	37
2.0	MIDA LA INSTALACIÓN	38
3.0	PREPARE LA INSTALACIÓN	38
4.0	INSTALE LA PLACA PARA SALPICADURAS . .	39
5.0	INSTALACIÓN DE LA TIRA DE MADERA	39
6.0	INSTALE LA CAMPANA	39
7.0	INSTALE LA TRANSICIÓN EN PLACA DEL VENTILADOR	40
8.0	INSTALE LA PLACA DEL VENTILADOR EN LA CAMPANA	40-41
9.0	INSTALE LA CHIMENEA DE INTRADOS OPCIONAL	41
10.0	INSTALE EL VENTILADOR	41
11.0	INSTALE LOS BOMBILLAS Y LAMPÁRAS TERMÓGENA	41
12.0	INSTALE LOS FILTROS	42
13.0	MANTENIMIENTO	43
14.0	FUNCIONAMIENTO	44
15.0	ESQUEMA ELÉCTRICO	45
16.0	REPUESTOS	46-47
17.0	GARANTÍA	48

Tapas del muro o techo Ventiladores ext



MODELO 331H (600 pcm) O **MODELO 335** (1200 pcm) O **MODELO 437** (Tapa de techo de alta capacidad) **MODELO 441** (Tapa de techo redondo 10") **MODELO 647** (tapa de muro redondo 7") **MODELO 634 O 644** (Tapa de techo)

Codos y ompuerta de tiro



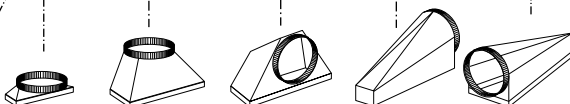
MODELO 418 (Codo ajustable redondo 10") **MODELO 421** (Compuerta de tiro en línea vertical redondo 10") **MODELO 415** (Codo ajustable redondo 7")

Conductos



MODELO 410 (Conducto redondo 10" - Secciones de 2') **MODELO 407** (Conducto redondo 7" - Secciones de 2')

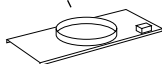
Seleccione 1 de 5 transiccions:



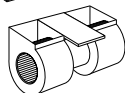
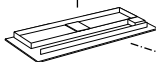
MODELO 427 (4 1/2" x 18 1/2" a 4 1/2" x 18 1/2" a 10" redondo - 6" altura -lateral) **MODELO 423** (4 1/2" x 18 1/2" a 10" redondo - vertical) **MODELO 424** (4 1/2" x 18 1/2" a 10" redondo - horiz. - frente / atrás) **MODELO 454** (4 1/2" x 18 1/2" a 10" redondo - horiz. / der.) **MODELO 453** (4 1/2" x 18 1/2" a 10" redondo - horiz. / izq.)



CHIMENEAS DE INTRADOS OPCIONAL RMN SERIE

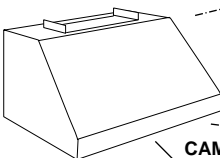


PLACA DEL VENTILADOR (Incluida con todos los modelos de ventiladores ext.)

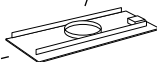


Seleccione 1 de 3 sistemas de ventiladores

MODELO RM326H VENTILADOR / PLACA VENTILADOR (1200 pcm ventilador interior y placa ventilador)



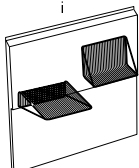
CAMPANA SERIE RM60000 (Pabellón con controles del ventilador e iluminación. Se requiere para todas las instalaciones)



MODELO RM325H VENTILADOR / PLACA VENTILADOR (600 pcm ventilador interior y placa ventilador)



FILTROS DE ZIG ZAG SERIE RBF OPCIONAL



PLACA PARA SALPICADURAS RMP SERIE (Cubierta para pared, de acero inoxidable, con estantes para calentamiento. Opcional.)

RANGEMASTER
BY BROAN - NUTONE
SERIE RM60000
SYSTEMA DE CAMPANA

HL0030

1. SELECCIONE LA OPTION VENTILADOR Y INSTALE LOS CONDUCTOS

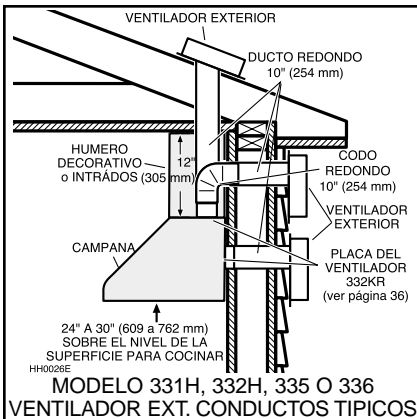
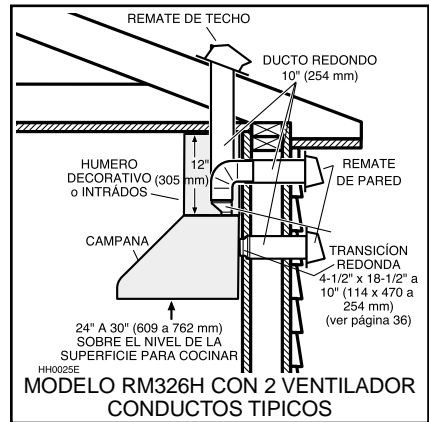
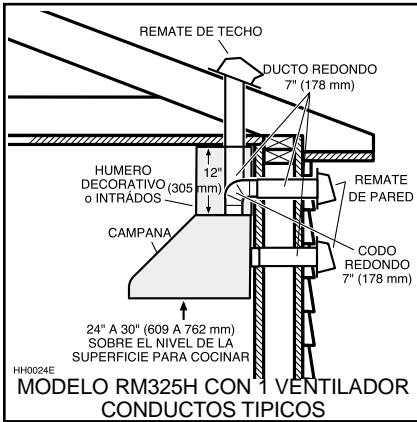
La campana Serie RM60000 funciona tanto con un ventilador exterior como interior. Esta campana debe ser instalada con ventilador modelo RM325H, RM326H, 331H, 332H, 335 o 336 solamente. Otros ventiladores no pueden reemplazar a este ventiladores.

NOTAS: 1. El ventilador exterior 331H, 332H, 335 o 336 debe ser instalado con la placa del ventilador modelo 332KR (vendida separadamente).

2. Además de modelos de ventiladores lista arriba, este campana es también compatible con antiguo modelos de ventiladores internos: 325H y 326H. Si este ventiladores son utilizados, descartar las instrucciones de instalación incluye con este ventiladores. Contactar con nuestro soporte técnico por obtener las nuevas instrucciones de instalación.

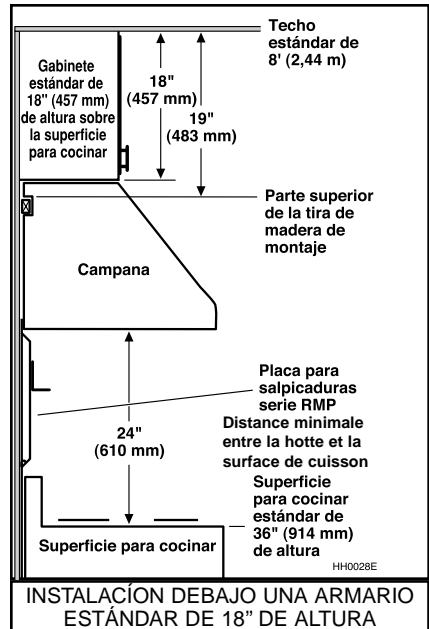
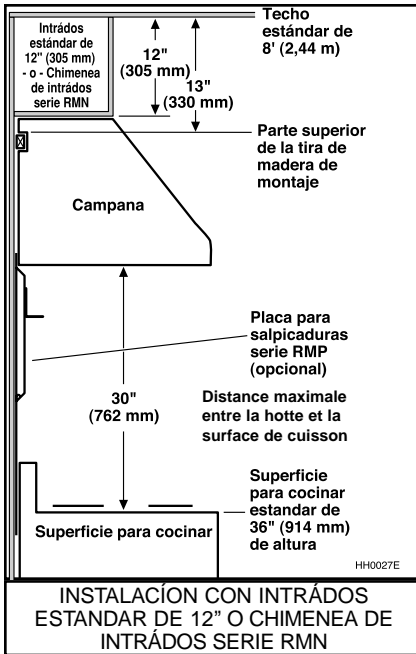
Planifique dónde y como se van a colocar los conductos.

Instale ductos, transiciones, codos y remate de pared o de techo de tamaño adecuado para el tipo de ventilador que esté usando.



2. MIDA LA INSTALACIÓN

A continuación se muestran las dimensiones para las instalaciones más comunes. Ajuste sus medidas para las diversas alturas de techos, intradós, gabinetes o superficies para cocinar. **Para lograr un funcionamiento adecuado, la parte inferior de la campana deberá estar entre 610 y 762 mm (24 y 30 pulg.) sobre el nivel de la superficie para cocinar.**



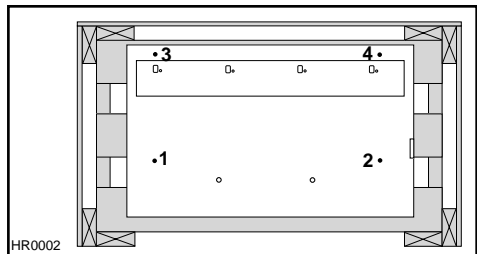
3. PREPARE LA INSTALACIÓN

Quite el estuche de instalación de dentro de la campana.

Asegúrese que los artículos siguientes están incluidos:

- Tira de madera
- Manual de instalación
- Complementos incluyendo:
 - .Los filtros (la cantidad varia conforme a los dimensiones de la campana)
 - .Bolsa de piezas incluyendo:
 - Tornillos #10 - 2" con plana cabeza, (4), Tornillos #8 - 3/4" (8),
 - Tuercas #10 - 32 (4), Anclas de la pared (2), Arandelas 3/16" Di X 3/4" De (2)

Usando un destornillador Phillips #2 o un Robertson #2, destornille la campana del fondo de la canasta. Refiérase a la figurar para localizar los 4 tornillos. Tire los tornillos y quite la campana de la paleta de madera.



4. INSTALE LA PLACA PARA SALPICADURAS (OPCIONAL)

La placa para salpicaduras se debe instalar antes que la campana debido a que este cubre los tornillos de montaje de la placa para salpicaduras. Para instalar la placa para salpicaduras, asegúrese de tener 18" (457 mm) entre debajo de la campana y el panel de control de la cocina o encima de la cocina (Vea las instrucciones incluidas con la placa para salpicaduras.)

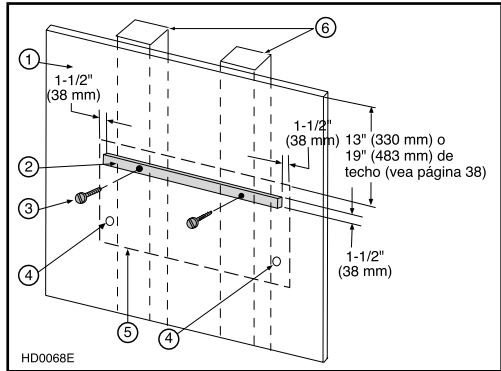
5. INSTALACIÓN DE LA TIRA DE MADERA

En la pared, mida y marque una línea de nivel para la tira de montaje de madera por encima de la posición de la superficie para cocinar (vea las dimensiones en las ilustraciones del paso 2 y debajo). Usando los tornillos con plana cabeza #10 - 2", asegure la tira de montaje a la pared de manera de alcanzar los travesaños de la pared. (Vea figura debajo.)

PRECAUCIÓN

Debido al peso de esta campana, asegúrese de que la tira de madera esté montada directamente a todos los travesaños de la pared disponible (el entramado de la pared), (un mínimo de dos travesaños para una campana de 30", más por una más larga); no sólo a la pared sin refuerzo.

1. Pared
2. Tira de madera
3. Tornillos de cabeza avellanar
4. Localización de las anclas de la pared
5. Atrás de la campana
6. Travesaños



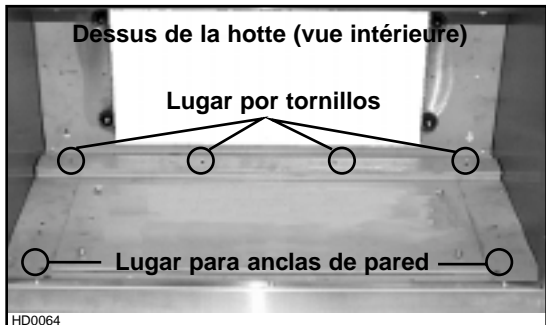
6. INSTALE LA CAMPANA

Para instalar la campana en su lugar, use la tira de madera para apoyar la cavidad de la parte de atrás de la campana.

PRECAUCIÓN

Sostenga la campana hasta que este completamente enroscado a la tira de la montura.

Segure la campana a la tira de la montura con los 4 tornillos #8 - 3/4" (para una campana de 30" o 36" larga) o 6 tornillos (para las campanas de 42" y más larga) incluidos en lugar indicado. Perfora (2) agujeros de 3/16" de largo en la pared para las anclas de pared en lugar indicado. Entonces, instale las 2 anclas de la pared y asegure la campana con los 2 últimos tornillos #8 - 3/4" y las 2 arandelas.



7. INSTALE LA TRANSICIÓN EN LA PLACA DEL VENTILADOR

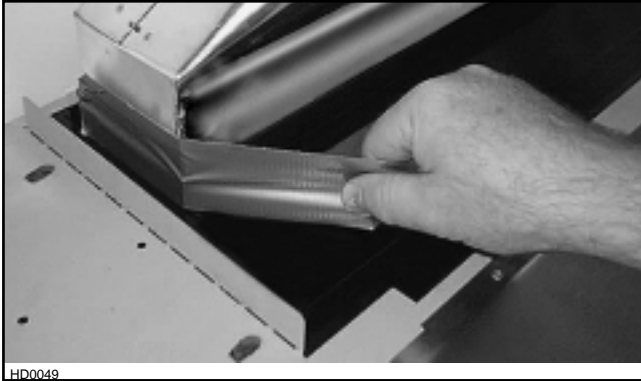
Modelos 423, 424, 427, 453, o 454

Monte la transición en la placa del ventilador.

Use cinta para ductos para que todas las juntas sean seguras y herméticas.

NOTA: La placa de un solo ventilador del modelo RM325H se conecta directamente al conducto redondo de 7", sin transición.

Los ventiladores exterior usan el modelo de la placa del ventilador 332KR que se conecta directamente al conducto redondo de 10", sin transición.



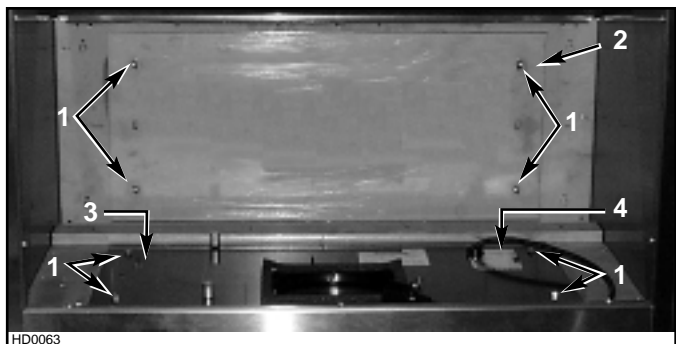
8. INSTALE LA PLACA DEL VENTILADOR EN LA CAMPANA

Tienda el cable de energía al sitio de la instalación. Por detalles referente a la instalación de la placa del ventilador, vea las instrucciones incluida con ésta (vendida separadamente). Instale la placa de tal forma que la caja de cableado este fuera a la derecha, cuando ustedes hace frente a la campana.

Si usted seleccione escape por detrás, quite la placa de detrás de la campana y instale la placa sobre encima. Asegure la placa ventilador al interior de la campana, usando 4 tuercas #10-32 (inclusos en la bolsa de pieza).

Si usted seleccione escape por encima, quite la placa de encima de la campana y instale la placa sobre detrás.

1. Tuercas
2. Placa sobre encima de la campana
3. Placa ventilador a detrás de la campana
4. Cubierta de la caja de cableado



Conecte el ducto redondo a la transición o a la placa del ventilador.

Use cinta para ductos para que todas las juntas sean seguras y herméticas.

8. INSTALE LA PLACA DEL VENTILADOR EN LA CAMPANA (CONTINUACIÓN)

Conexión eléctrica

AVERTENCIA

Peligro de choque eléctrico. La instalación eléctrica debe ser hecha por personal calificado de acuerdo con todos los códigos aplicables y normas. Antes de efectuar el empalme, cortar la alimentación eléctrica del interruptor y cerrar con seguridad para prevenir una alimentación accidental.

Retire la cubierta del cableado de la placa del ventilador y poner a un lado..

Abra el agujero ciego en la caja de cableado de la placa del ventilador. Mientras instale la palca del ventilador, tienda 6" del cable de energía y conecte el cable a la caja de cableado usando el conector adecuado.

Conecte los cables tal como ilustrado en las instrucciones del ventilador.

Vuelva a colocar la cubierta del cableado.

9. INSTALE LA CHIMENEA DE INTRADOS OPCIONAL

(OPcional) Series RMN

Vea las instrucciones incluida con la chimenea de intrados opcional.

10. INSTALE EL VENTILADOR

Vea las instrucciones incluida con el ventilador.

Una vez que el ventilador este instale, conecte el ventilador y el cable de la caja eléctrica al enchufe al interior de la campana. **NO CONECTE** los dos cables juntos.



11. INSTALE LOS BOMBILLAS Y LAMPÁRAS TERMÓGENA

Instale (2) bombillas termógenas. Usar bombillas de tamaño BR40, 250W Max. infrarroja solamente (no incluido).

Instale (3) bombillas halógenas. Usar bombillas de tamaño PAR20, 50W (no incluido).

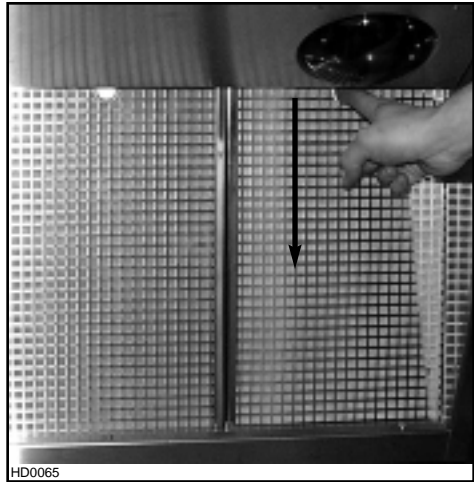
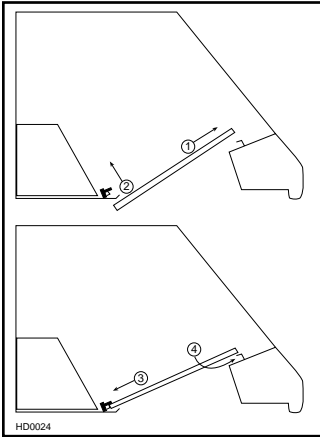
12. INSTALE LOS FILTROS

PRECAUCIÓN

Antes de la instalación, sacar las películas de plástico sobre los filtros.

Es recomendable de instalar los filtros de lado en primer y de terminar con el o los filtro(s) del centro.

1. Insertar la parte superior del filtro en la campana (al lado de la palangana).
2. Acercar girar la parte inferior hacia el interior de la campana.
3. Instale el filtro debajo el atadero y tire.
4. Empleando la palangana, resbale el filtro debajo la pieza de reteniendo interior.



Filtros de sustitución este disponibles en la detallista. Vea la etiqueta en el interior de la campana para encontrar el número de la pieza y el tamaño.

Filtros de zig zag

Estos filtros este disponibles como una opción. Para pedirlos, refiérase a el dibujo debajo para encontrar el número del equipo correcto para su campana. Para instalarlos, refiérase a la hoja de instalación que se encuentran incluida con los filtros a zig zag.



FILTRO DE ZIG ZAG (TÍPICO)

EQUIPO #	LARGO DE CAMPANA
RBF6030	30"
RBF6036	36"
RBF6042	42"
RBF6048	48"
RBF6054	54"
RBF6060	60"
RBF6066	66"
RBF6072	72"

13. MANTENIMIENTO

Filtros

Los filtros deben limpiarse con frecuencia. Utilice agua caliente con un detergente suave. Los filtros pueden ponerse en el lavavajillas. Limpie más seguido si su comida crea mucho grasa - como fritura o preparar la comida con wok.

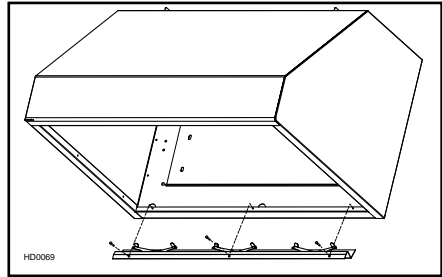
Empuje los filtros hacia el interior de la campana y libérelos de la pieza de reteniendo para que en seguida los retire de la campana.

Limpieza del ventilador

Quitar los filtros a fin que tener acceso al ventilador. Pasar la aspiradora por limpieza el ventilador. No lo sumergir en el agua. Para más información, refiérase a el manual del ventilador.

Canal

El canal debe limpiarse con frecuencia, sobre si filtros a zig zag está utilizan. Retire los filtros, después retire el canal de la campana por destornille su 3 tornillos de retenido. Vea el ilustración abajo.



Vea la parte limpieza de l'Acero inoxidable en la parte limpieza de la campana abajo. Una vez qué el canal están limpio y seco, reinstale el canal en la campana y reinstale los filtros.

Limpieza de la campana

Acero inoxidable: como mantener una apariencia brillante

Lo que debe hacer:

- Lavar regularmente la superficie con un trapo o un paño empapado de agua tibia y de jabón suave o detergente a vajilla.
- Siempre limpie en el sentido de las líneas originales de pulimento.
- Siempre enjuague bien con agua limpia (2 a 3 veces) después de haber limpiado seque completamente la superficie.
- Usted puede utilizar un limpiador doméstico hecho especialmente para el acero inoxidable.

Lo que no debe hacer:

- No utilice ninguna lana de acero o de acero inoxidable o todo otro raspador para quitar la suciedad tenaz.
- No utilice ningún limpiador en polvo abrasivo o riguroso.
- No deje la suciedad acumularse.
- No deje el polvo de yeso o todo otro residuo de construcción que caiga en la campana, cúbrala durante el trabajo para asegurarse que en ningún caso el polvo se pegue a la superficie del acero.

A evitar cuando elige un detergente:

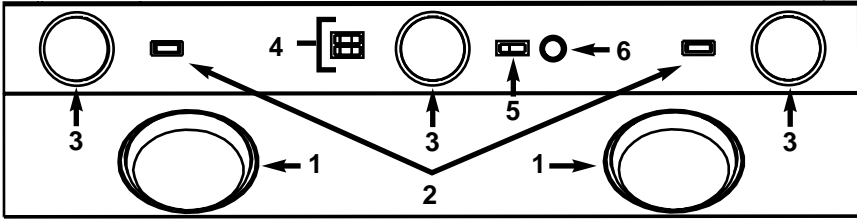
- Todos los productos de limpieza que contienen **agentes de blanqueo**; van a deteriorar el acero inoxidable.
- Todos los productos que contienen **cloruro, fluoruro, yoduro o bromuro**; estos deterioran rápidamente las superficies.
- Todos los **productos combustible** utilizados para la limpieza: **acetona, alcohol, éter, bencol**, etc...; son extremadamente explosivos y no deben ser utilizados cerca de una cocina.

Superficies pintadas:

Limpie con agua caliente agregue solamente un detergente suave. Si hay decoloración, utilice una buena cera a pintura como cera para auto. (**NO UTILICE** un limpiador casero rugoroso o un limpiador a porcelana)

14. FUNCIONAMIENTO

Siempre hacer funcionar la campana antes de comenzar a cocinar a fin de establecer una circulación de aire en la cocina. Deje igualmente funcionar la campana algunos minutos después de que pare de cocinar a fin de limpiar el aire. Esto ayuda a conservar la cocina mas limpia y un aire puro.



HC0004

1. Lámparas termógena

2. Interruptores de lámpara termógena

3. Luces halógena

4. Interruptores de luces halógena

5. Interruptor Encender/Apagar del ventilador

6. Control de velocidad del ventilador

Lámparas termógena (infrarroja)

Cada lámpara es controlada independientemente con su propio interruptor.

Utilice solamente las bombillas infrarroja de tamaño BR40, 250W max. (no incluida).

⚠ AVERTENCIA

Jamás dejar materias inflamables debajo de las lámparas termógena.

Luces halógena

Los dos interruptores de encender/apagar controlan las luces halógenas.

El interruptor antes controla la luz del centro. El interruptor detrás controla las luces de cada lado. Encienda una, dos o tres luces según su necesidad.

Utilice las bombillas de halógenas PAR 20, 50W (no incluida).

Ventilador

El ventilador funciona con la ayuda de (2) controles.

Utilice el interruptor Encender/Apagar tiene una luz roja para encender y apagar el ventilador. Cuando está en tension, el ventilador funciona a la velocidad utilizada la última vez.

Use el control de velocidad del ventilador girando en el sentido de las agujas del reloj para disminuir la velocidad y en el sentido contrario de las agujas del reloj para augmentar la velocidad.

HEAT SENTRY^{MR}

Su campana esta equipada con termostato HEAT SENTRY^{MR}. Este termostato tiene un mecanismo que se encenderáo aceleraráel ventilador si se detecta un calor excesivo encima de la cocina.

1) Si el ventilador esta apagando - el se prenderá a una velocidad máxima.

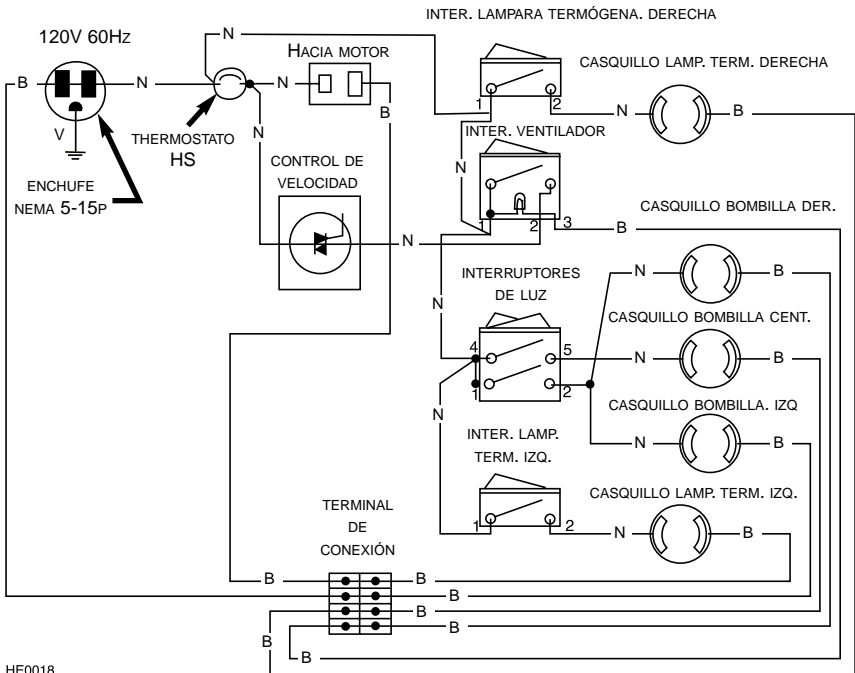
2) Si el ventilador esta encendido a una velocidad minima - el se prenderá a una velocidad máxima.

Cuando la temperatura disminuye a un nivel normal, el ventilador vuelve a la función de origen.

⚠ AVERTENCIA

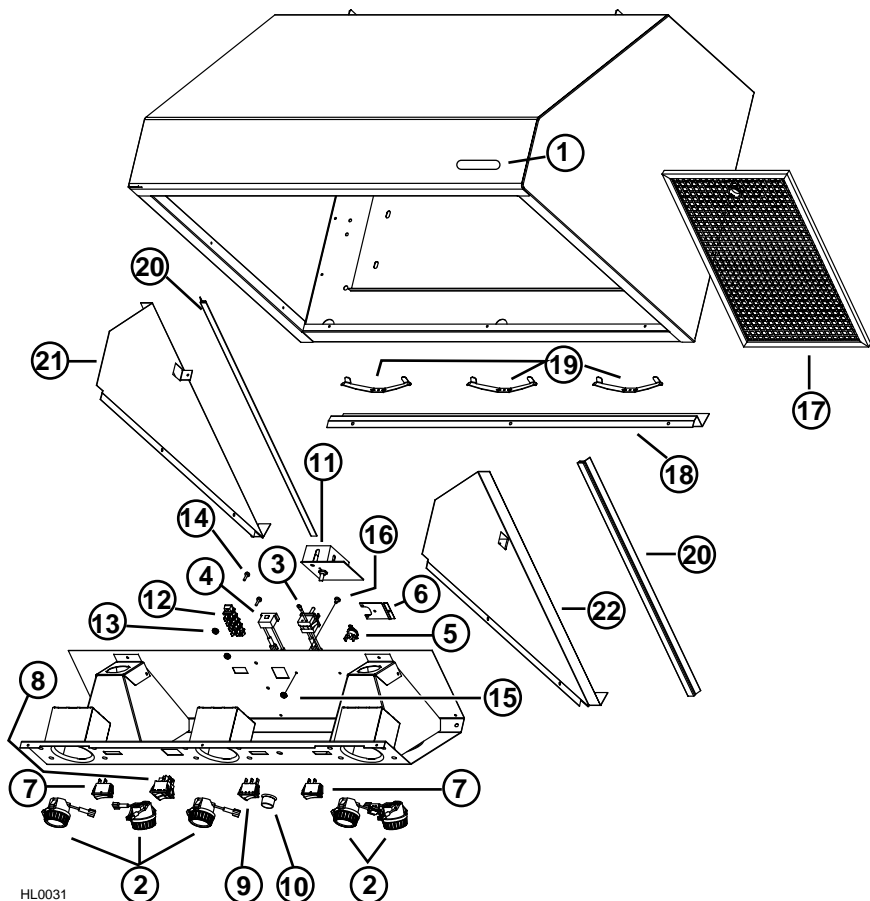
El HEAT SENTRY^{MR} termostato puede comenzar a funcionar al igual si la campana esta parada. En este caso, es imposible parar el ventilador con los interruptores. Si usted para la campana, halago a partir del panel eléctrico principal.

15. ESQUEMA ELÉCTRICO



HE0018

16. REPUESTOS



16. REPUESTOS (CONTINUACIÓN)

NO.DE REF.	NO. DE PIEZA	DESCRIPCIÓN	CTD (LARGO DE LA CAMPANA)							
			30"	36"	42"	48"	54"	60"	66"	72"
1	V03493	Logotipo Rangemaster	1	1	1	1	1	1	1	1
2	V02264	Casquete	5	5	5	5	5	5	5	5
3	V02773	Conectador macho	1	1	1	1	1	1	1	1
4	V02772	Conectador hemera	1	1	1	1	1	1	1	1
5	V03435	Termostato	1	1	1	1	1	1	1	1
6	V03436	Soporte por termostato	1	1	1	1	1	1	1	1
7	V02563	Inter. simple SPST para lamp. termógena	2	2	2	2	2	2	2	2
8	V03502	Inter. doble SPST para lamp. halógena	1	1	1	1	1	1	1	1
9	V03503	Inter. simple iluminado SPST ventilador	1	1	1	1	1	1	1	1
10	V03504	Botón control de velocidad	1	1	1	1	1	1	1	1
11	V03501	Control de velocidad	1	1	1	1	1	1	1	1
12	V03505	Terminal de conexión	1	1	1	1	1	1	1	1
‡	V03517	Cable de alimentación 10"	1	1	1	1	1	1	1	1
‡	V03519	Cable de control 10"	1	1	1	1	1	1	1	1
‡	V03520	Cable de interruptor iluminado 10"	1	1	1	1	1	1	1	1
13	V00673	Tuerca dentellada 8-32	2	2	2	2	2	2	2	2
14	V02512	Tornillo 8-32 x 1/2	2	2	2	2	2	2	2	2
15	V01869	Tornillo mecanico 8-32 x 1/4	2	2	2	2	2	2	2	2
16	V01582	Tuerca dentellada 6-32	2	2	2	2	2	2	2	2
17	V05522	Filtro a reja cuadrada 9.5 x 15.25 x 0.355	3	-	-	-	-	-	-	-
17	V05523	Filtro a reja cuad. 11.61 x 15.25 x 0.355	-	3	-	4	-	5	2	-
17	V05524	Filtro a reja cuad. 13.61 x 15.25 x 0.355	-	-	3	-	-	-	3	-
17	V05525	Filtro a reja cuad. 17.525 x 15.25 x 0.355	-	-	-	-	3	-	-	4
18	V14763	Canal 30"	1	-	-	-	-	-	-	-
18	V14764	Canal 36"	-	1	-	-	-	-	-	-
18	V14765	Canal 42"	-	-	1	-	-	-	-	-
18	V14766	Canal 48"	-	-	-	1	-	-	-	-
18	V14767	Canal 54"	-	-	-	-	1	-	-	-
18	V14768	Canal 60"	-	-	-	-	-	1	-	-
18	V14769	Canal 66"	-	-	-	-	-	-	1	-
18	V14770	Canal 72"	-	-	-	-	-	-	-	1
19	V05528	Grapa de filtro 5.265" x 0.350"	3	3	3	4	3	5	5	4
20	V05521	Banda sellara 20.625"	2	2	2	2	2	2	2	2
21	V14744	Pared interior izquierda	1	1	1	1	1	1	1	1
22	V14745	Pared interior derecha	1	1	1	1	1	1	1	1
‡	V05527	Manual de instalación	1	1	1	1	1	1	1	1
‡	V12971	Bolsa de instalación (tornillos con plana cabeza #10 x 2" (4), Tornillos #8 x 3/4" (8), Anclas de la pared (2), Arandelas 3/16" DI x 3/4" DE (2))	1	1	1	1	1	1	1	1
‡	V02544	Tuercas #10-32 (4)	3	3	3	3	3	3	3	3
‡*		Bombilla halógena PAR20 50W	3	3	3	3	3	3	3	3
		Bombilla termógena BR40, 250W max.	2	2	2	2	2	2	2	2

‡ No se muestra

* Cómprala a un distribuidor local.

17. GARANTIA

GARANTÍA BROAN-NUTONE LIMITADA POR UN AÑO

Broan-NuTone garantiza al consumidor comprador original de sus productos que dichos productos carecerán de defectos en materiales o en mano de obra por un período de un año a partir de la fecha original de compra. NO EXISTEN OTRAS GARANTÍAS, EXPRESAS O IMPLÍCITAS, INCLUYENDO, PERO NO LIMITADAS A, GARANTÍAS IMPLÍCITAS DE COMERCIALIZACIÓN O ACTITUD PARA UN PROPOSITO PARTICULAR.

Durante el período de un año, y a su propio criterio, Broan-NuTone reparará o reemplazará, sin costo to do producto o pieza que se encuentre defectuosa bajo condiciones normales de servicio y uso.

Esta garantía no cubre (a) mantenimiento y servicios normales o (b) cualquier productos o piezas que hayan sido mantenidas o reparadas en inapropiadamente (por otras compañías que sea Broan-NuTone), instalación defectuosa, o instalación no conforme a las instrucciones de instalación recomendadas.

La duración de cualquier garantía implícita se limita a un periodo de un año como se especifica en la garantía expresa. Algunos estados o provincias no permiten limitaciones en cuanto al tiempo de expiración de una garantía implícita, por lo que la limitación antes mencionada puede no aplicarse a usted.

LA OBLIGACIÓN DE BROAN-NUTONE DE REPARAR O REEMPLAZAR, SIGUIENDO EL CRITERIO DE BROAN-NUTONE DEBERÁ SER EL UNICO Y EXCLUSIVO RECURSO LEGAL DEL COMPRADOR BAJO ESTA GARANTÍA. BROAN-NUTONE NO SERÁ RESPONSABLE POR DAÑOS ACCIDENTALES, CONSIGUIENTES, O POR DAÑOS ESPÉCIALES SURGIDOS O EN CONEXIÓN CON EL USO O EL RENDIMIENTO DEL PRODUCTO. Algunos estados o provincias no permiten la exclusión o limitación de daños accidentales o consiguientes, por lo que la limitación antes mencionada puede no aplicarse a usted. Esta garantía le proporciona derechos legales específicos, y usted puede también tener otros derechos, los cuales varían de estado a estado, y de provincia a la otra. Esta garantía reemplaza todas las garantías anteriores. Para calificar en el servicio de garantía, usted debe (a) notificar a Broan-NuTone al domicilio que menciona abajo (b) dar el número del modelo y la identificación de la pieza y (c) describir la naturaleza de cualquier defecto en el producto o pieza. En el momento de solicitar servicio cubierto por la garantía, usted debe presentar evidencia de la fecha original de la compra.

En caso de discrepancia entre la versión española y la inglesa y/o la francés de esta garantía, prevalecerá la inglesa.

Broan-NuTone LLC, 926 West State Street Hartford, WI 53027
(1-800-637-1453)

NuTone, Inc., 4820 Red Bank Road, Cincinnati, OH 45227
(1-800-543-8687)

Broan-NuTone Canada, Inc., 1140 Tristar Drive, Mississauga, ON L5T 1H9
(1-888-882-7626)